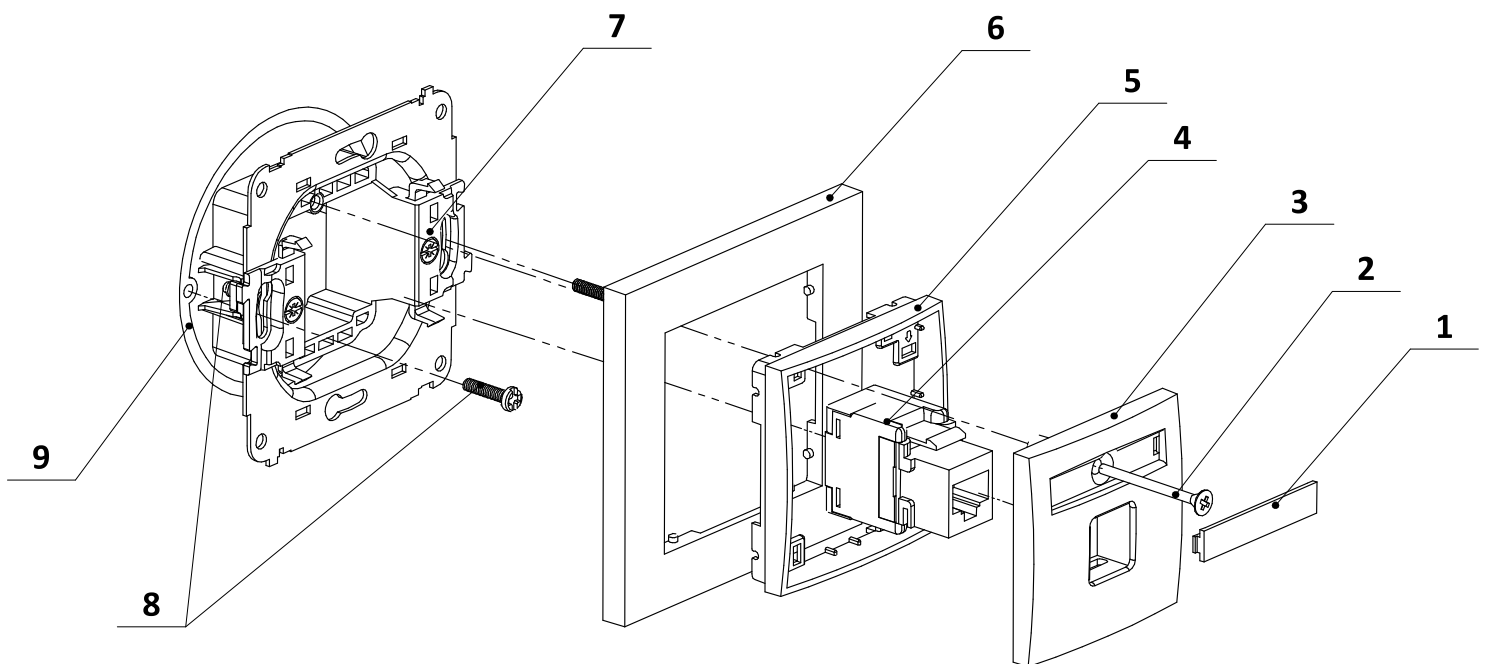


# ASSEMBLY MANUAL OF PHONE, COMPUTER AND MULTIMEDIA SOCKETS

1. Prise and remove the glass (1) and the label with a knife or a flat-blade screwdriver on a chosen spot of the adapter(3).
2. Remove the screw (2).
3. Dismantle the module of phone/computer socket (4).
4. Dismantle intermediate frame (5) from the cube of the multimedia socket (7). In order to dismantle the frame, bend up claps of the cube or strongly pull the frame.
5. Assemble the multimedia cube in the box (9) with use of projecting spikes or screws in the box.
6. Connect the intermediate frame into the external one (6) and clang all together with clasps protruding from the cube of the multimedia socket.
7. Plug the cords into the phone/computer socket.
8. Connect module of the phone/computer socket into the adapter.
9. Use the screw to connect adapter with the cube of the multimedia socket.
10. Place the label and the glass.



## NOTE!

Assembly shall be held by a suitably qualified person with deactivated voltage and shall meet the national safety standards.