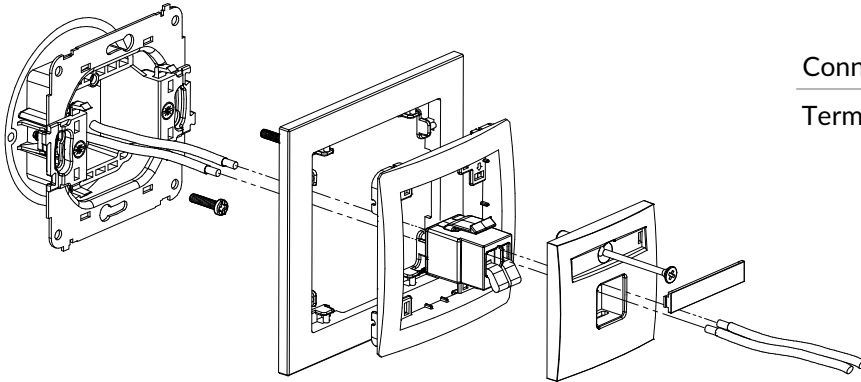


DECO SERIES MULTIMEDIA SOCKETS CONNECTION METHOD

DGG-1 + DR-1

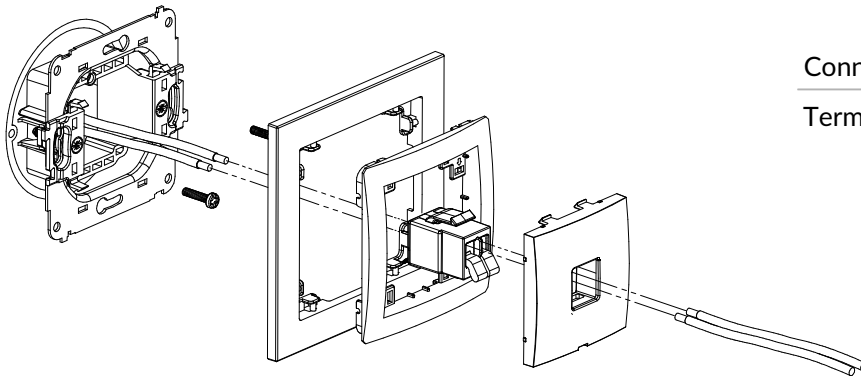
Single loudspeaker socket (2,5mm²) mechanism + universal plastic frame



Connection type	Connection
Terminal	Screw clamps

DGGBO-1 + DR-1

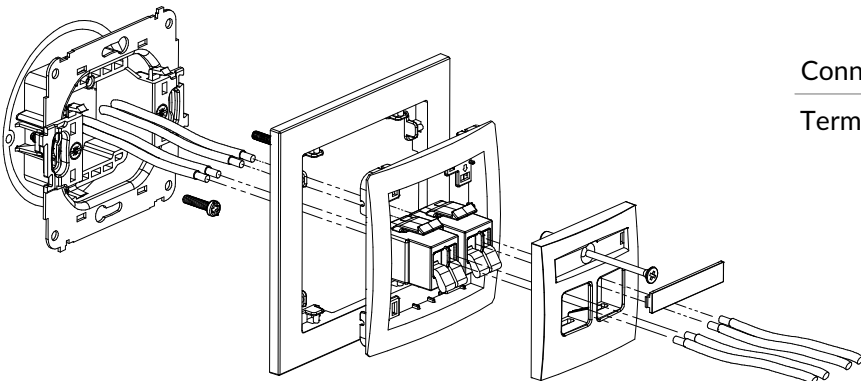
Single loudspeaker socket (2,5mm²) mechanism without destruction field + universal plastic frame



Connection type	Connection
Terminal	Screw clamps

DGG-2 + DR-1

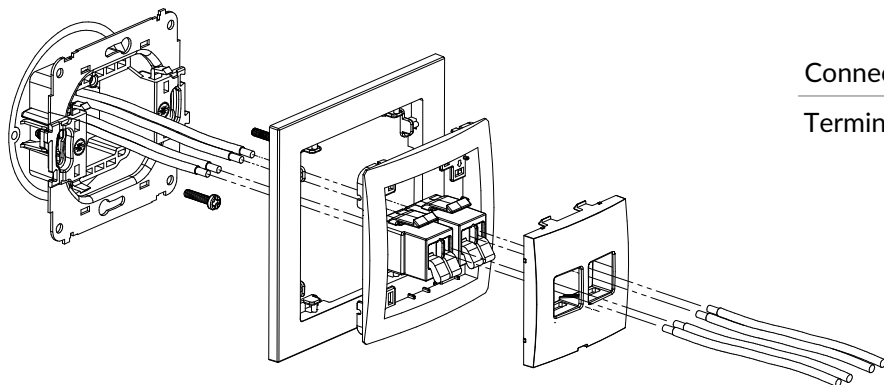
Double loudspeaker socket (2,5mm²) mechanism + universal plastic frame



Connection type	Connection
Terminal	Screw clamps

DGGBO-2 + DR-1

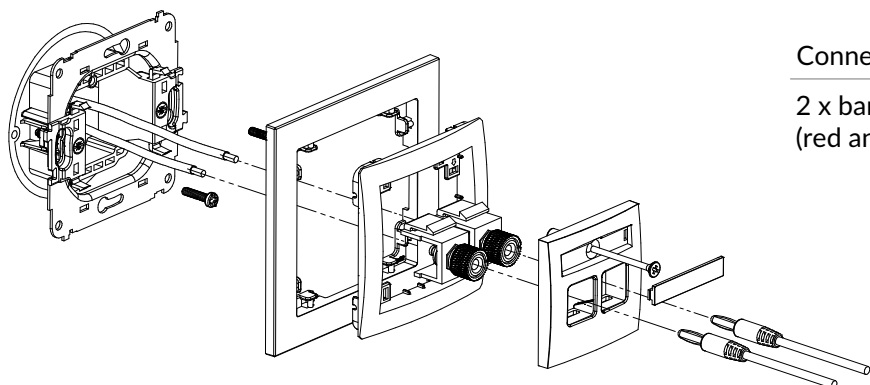
Double loudspeaker socket (2,5mm²) mechanism without destription field + universal plastic frame



Connection type	Connection
Terminal	Screw clamps

DGG-3 + DR-1

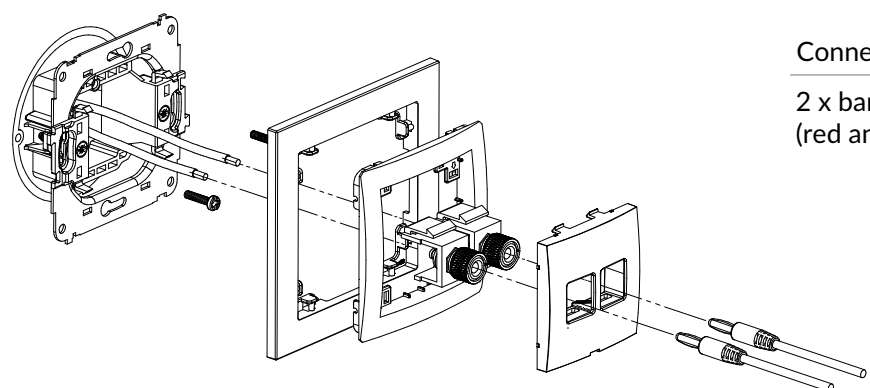
Single loudspeaker socket (banana type - red and black, gold-plated, 4mm², soldering) mechanism + universal plastic frame



Connection type	Connection
2 x banana gold plated (red and black)	For soldering

DGGBO-3 + DR-1

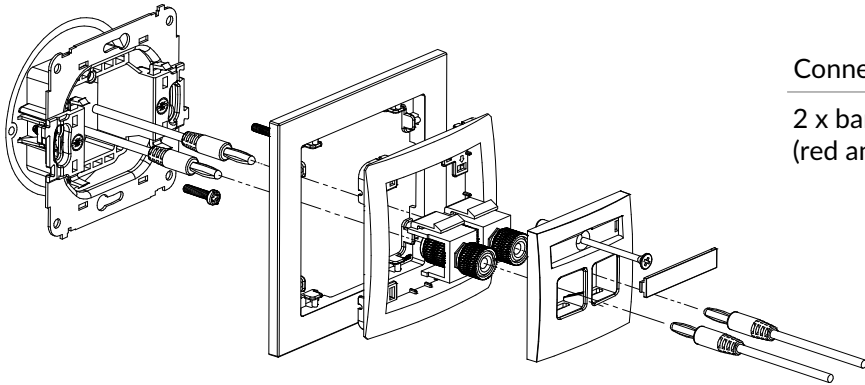
Single loudspeaker socket (banana type - red and black, gold-plated, 4mm², soldering) mechanism without destription field + universal plastic frame



Connection type	Connection
2 x banana gold plated (red and black)	For soldering

DGG-4 + DR-1

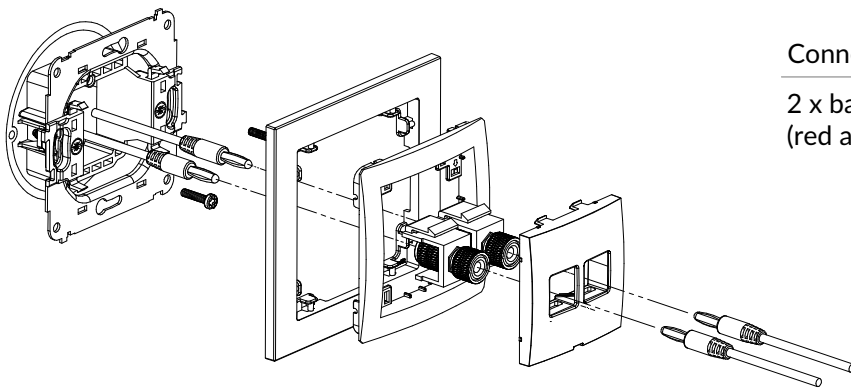
Single loudspeaker socket (banana type - red and black, gold-plated, 4mm², twisted) mechanism + universal plastic frame



Connection type	Connection
2 x banana gold plated (red and black)	Screwed

DGGBO-4 + DR-1

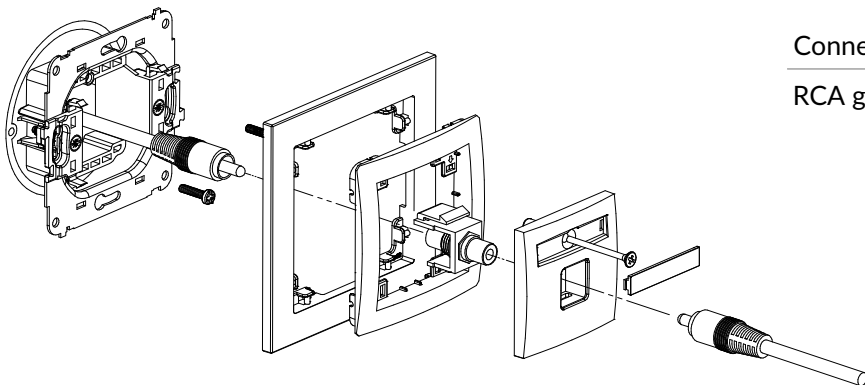
Single loudspeaker socket (banana type - red and black, gold-plated, 4mm², twisted) mechanism without destription field + universal plastic frame



Connection type	Connection
2 x banana gold plated (red and black)	Screwed

DGRCA-1 + DR-1

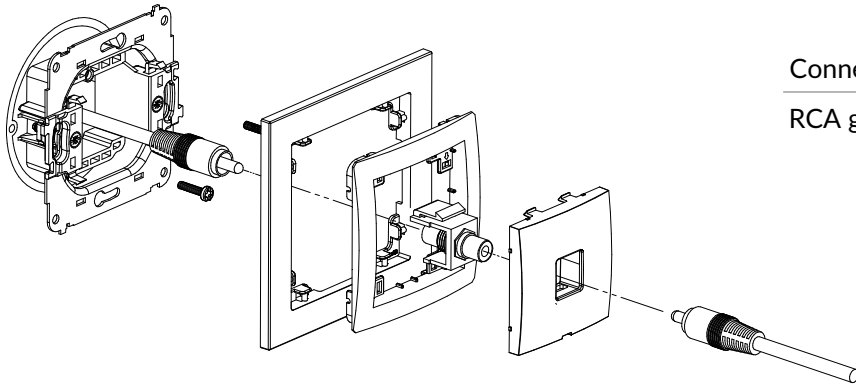
RCA single socket (cinch type - yellow, gold-plated) mechanism + universal plastic frame



Connection type	Connection
RCA gold-plated	1 x RCA (cinch) female, yellow marker, gold plated

DGRCABO-1 + DR-1

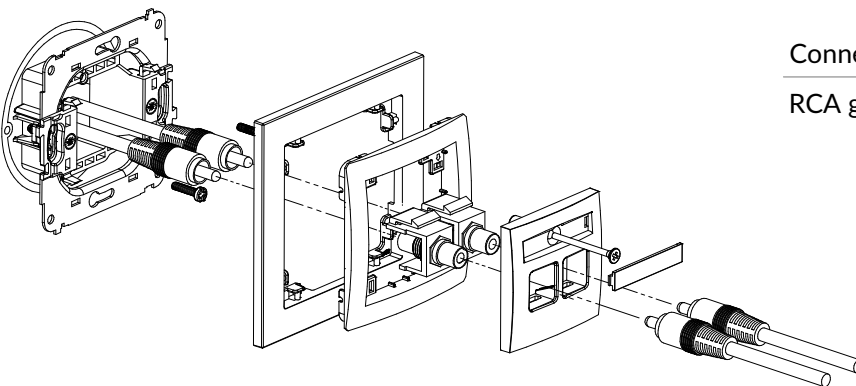
RCA single socket (cinch type - yellow, gold-plated) mechanism without destription field + universal plastic frame



Connection type	Connection
RCA gold-plated	1 x RCA (cinch) female, yellow marker, gold plated

DGRCA-2 + DR-1

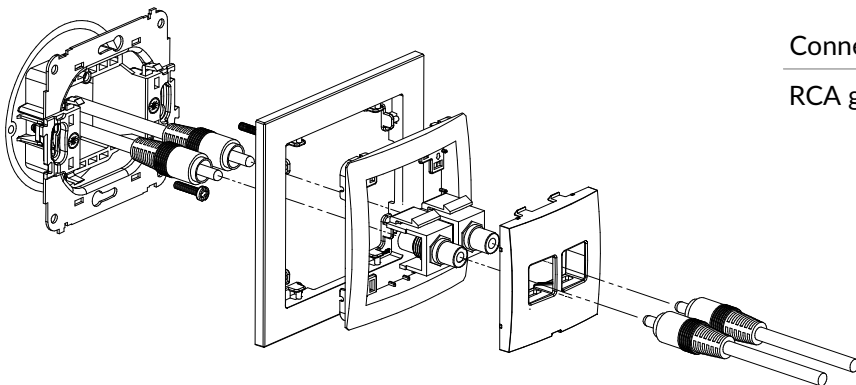
RCA double socket (cinch type - white and red, gold-plated) mechanism + universal plastic frame



Connection type	Connection
RCA gold-plated	2 x RCA (cinch) female, white and red marker, gold plated

DGRCABO-2 + DR-1

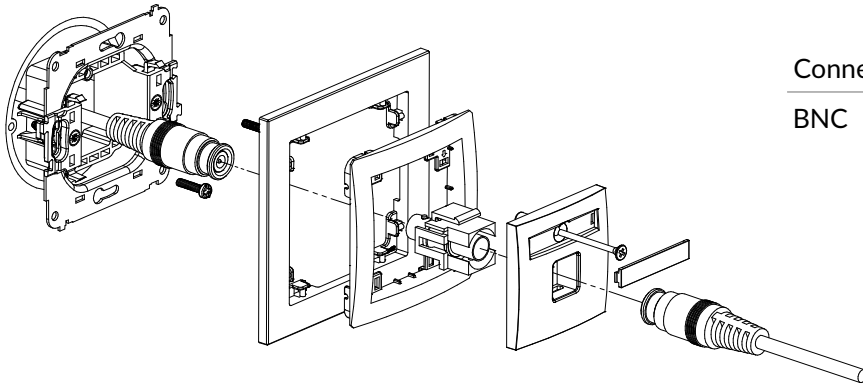
RCA double socket (cinch type - white and red, gold-plated) mechanism without destription field + universal plastic frame



Connection type	Connection
RCA gold-plated	2 x RCA (cinch) female, white and red marker, gold plated

DGBNC-1 + DR-1

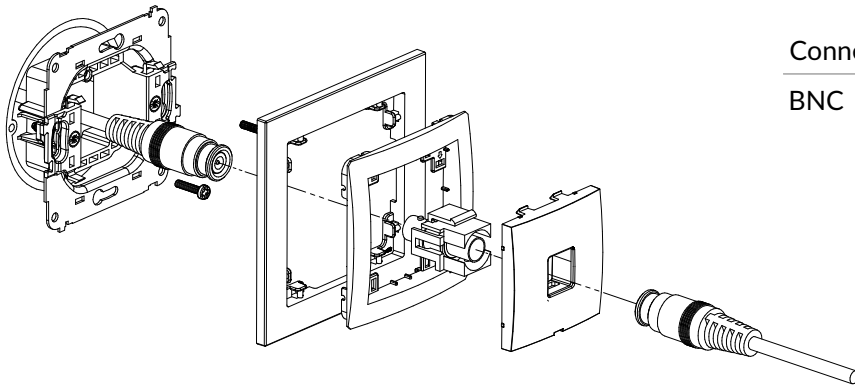
BNC single socket mechanism + universal plastic frame



Connection type	Connection
BNC	Screwed

DGBNCBO-1 + DR-1

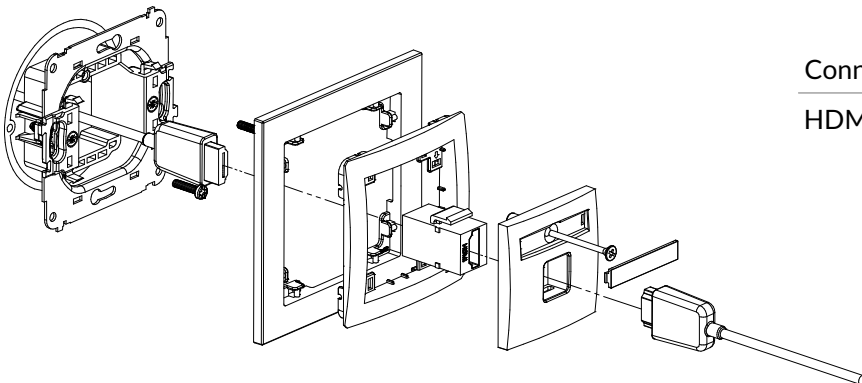
BNC single socket mechanism without destruction field + universal plastic frame



Connection type	Connection
BNC	Screwed

DHDMI-3 + DR-1

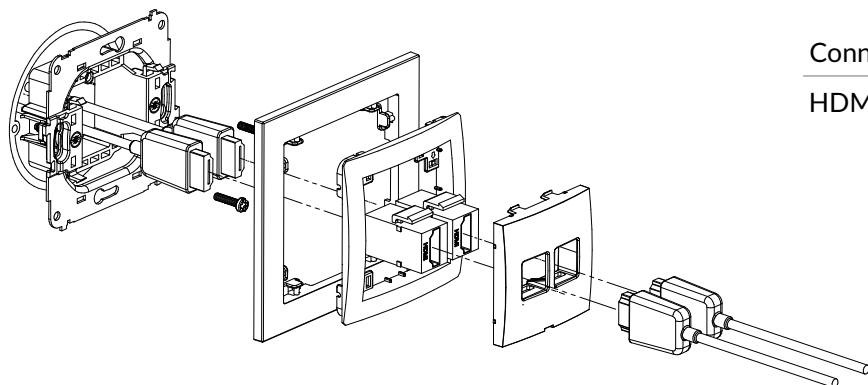
HDMI 2.0 single socket mechanism + universal plastic frame



Connection type	Connection
HDMI	1 x HDMI socket female

DHDMIBO-3 + DR-1

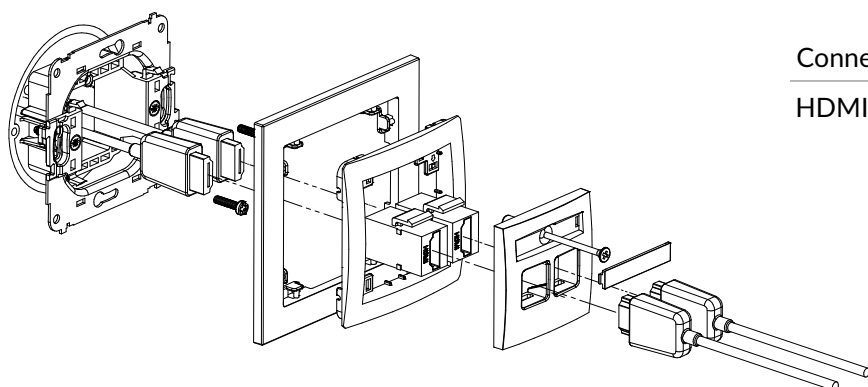
HDMI 2.0 single socket mechanism without destription field + universal plastic frame



Connection type	Connection
HDMI	1 x HDMI socket female

DHDMI-4 + DR-1

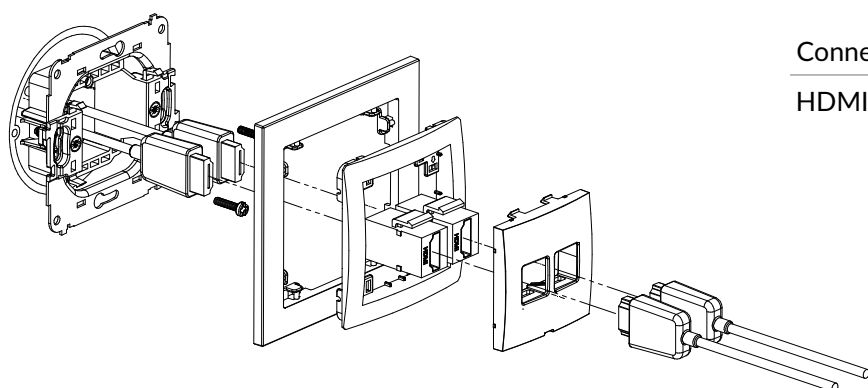
HDMI 2.0 double socket mechanism + universal plastic frame



Connection type	Connection
HDMI	2 x HDMI socket female

DHDMIBO-4 + DR-1

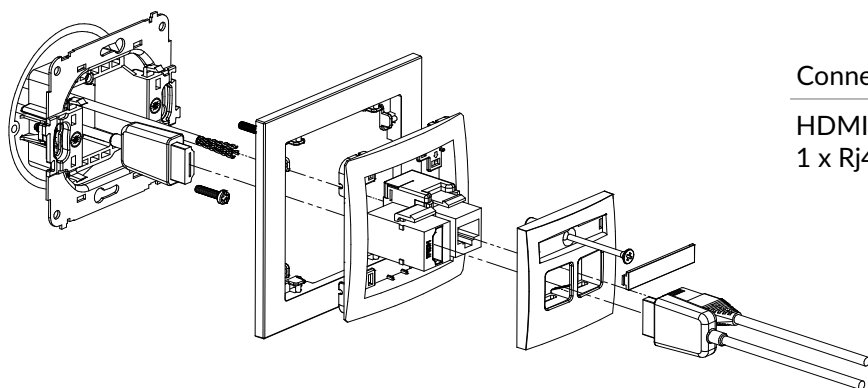
HDMI 2.0 double socket mechanism without destription field + universal plastic frame



Connection type	Connection
HDMI	2 x HDMI socket female

DGHK + DR-1

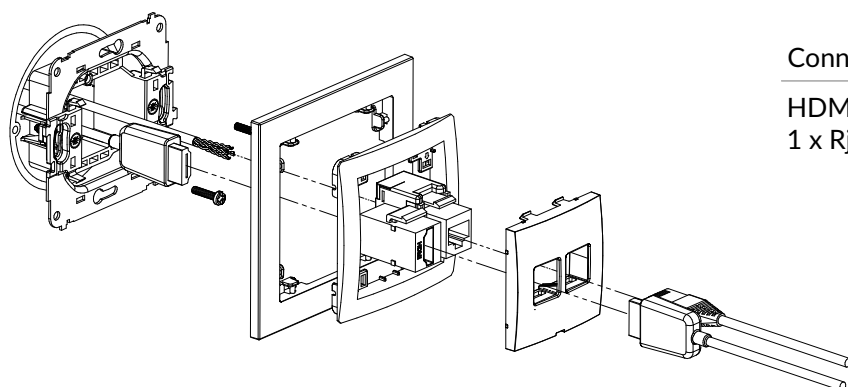
HDMI 2.0 single socket mechanism + single computer socket mechanism 1xRJ45, cat. 5e, 8-contact + universal plastic frame



Connection type	Connection
HDMI, 1 x Rj45 8-kontakt	1 x HDMI socket female / Clamp penetrating insulation

DGHKBO + DR-1

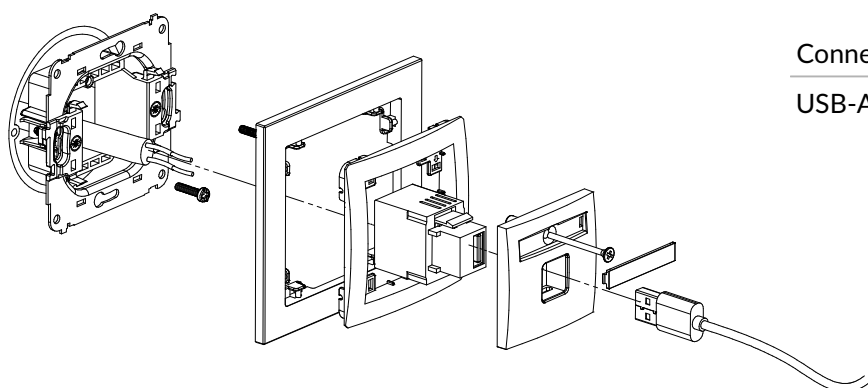
HDMI 2.0 single socket mechanism + single computer socket mechanism 1xRJ45, cat. 5e, 8-contact without destription field + universal plastic frame



Connection type	Connection
HDMI, 1 x Rj45 8-kontakt	1 x HDMI socket female / Clamp penetrating insulation

DCUSB-1 + DR-1

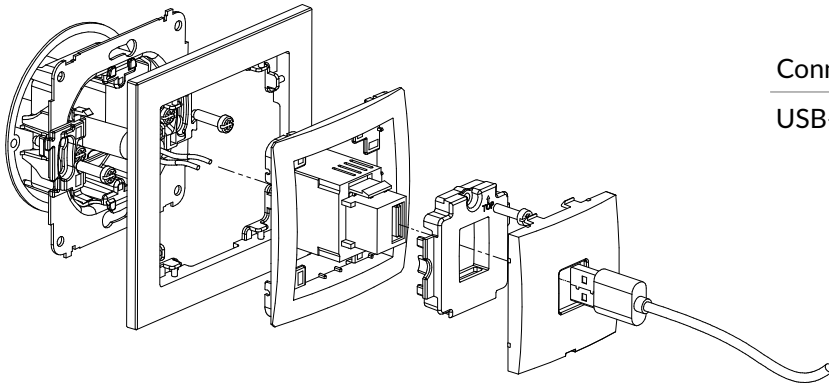
Single USB charger mechanism USB A, 5W max., 5V, 1A + universal plastic frame



Connection type	Connection
USB-A	Screw clamps

DCUSBBO-1 + DR-1

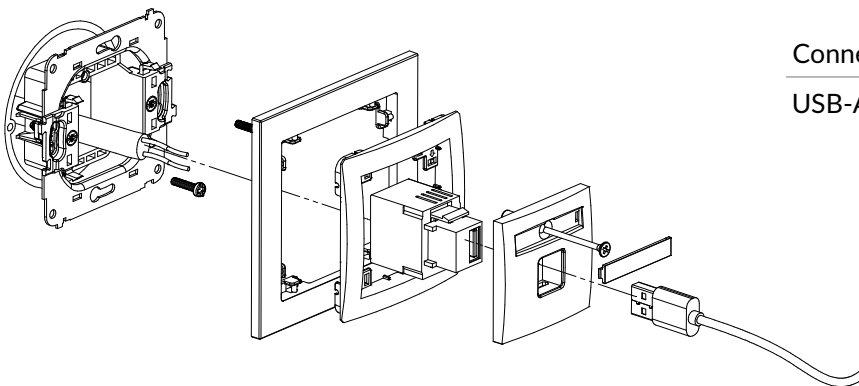
Single USB charger mechanism USB A, 5W max., 5V, 1A, without description field + universal plastic frame



Connection type	Connection
USB-A	Screw clamps

DCUSB-3 + DR-1

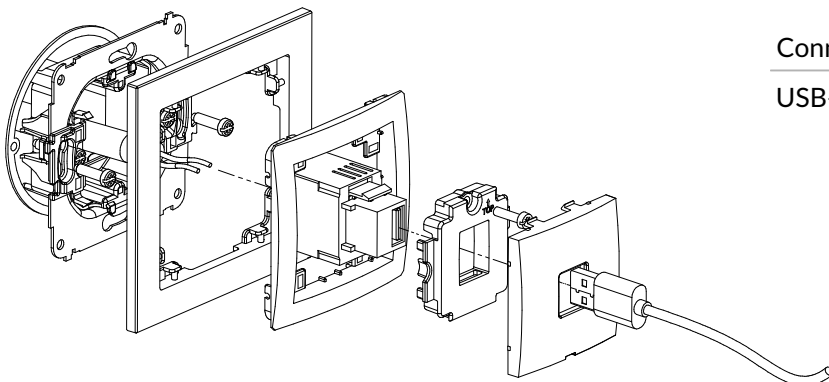
Single USB charger mechanism USB A, 10W max., 5V, 2A + universal plastic frame



Connection type	Connection
USB-A	Screw clamps

DCUSBBO-3 + DR-1

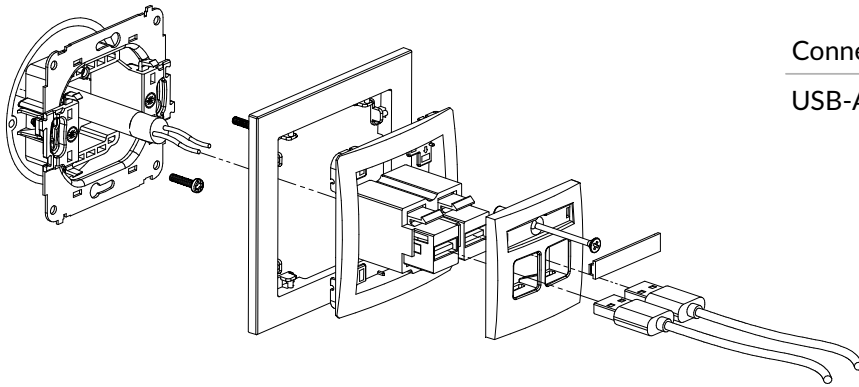
Single USB charger mechanism USB A, 10W max., 5V, 2A, without description field + universal plastic frame



Connection type	Connection
USB-A	Screw clamps

DCUSB-6 + DR-1

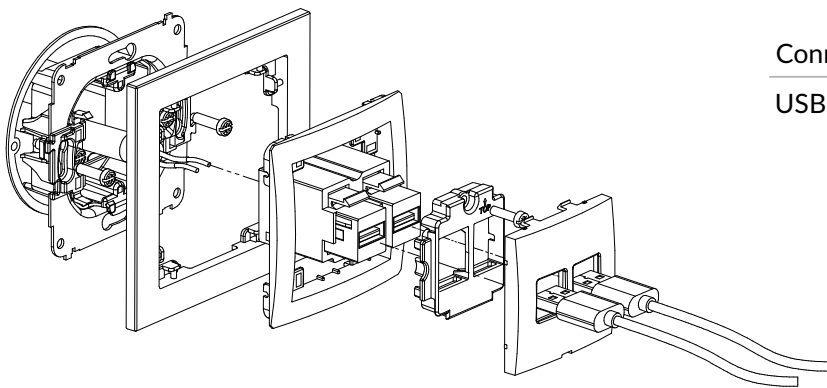
Double USB charger mechanism 2xUSB A, 15,5W max., 5V, 3.1A + universal plastic frame



Connection type	Connection
USB-A	Screw clamps

DCUSBBO-6 + DR-1

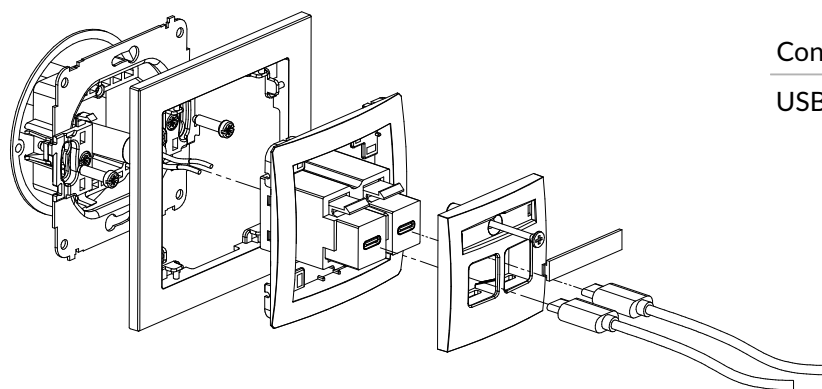
Double USB charger mechanism 2xUSB A, 15,5W max., 5V, 3.1A, without description field + universal plastic frame



Connection type	Connection
USB-A	Screw clamps

DCUSB-7 + DR-1

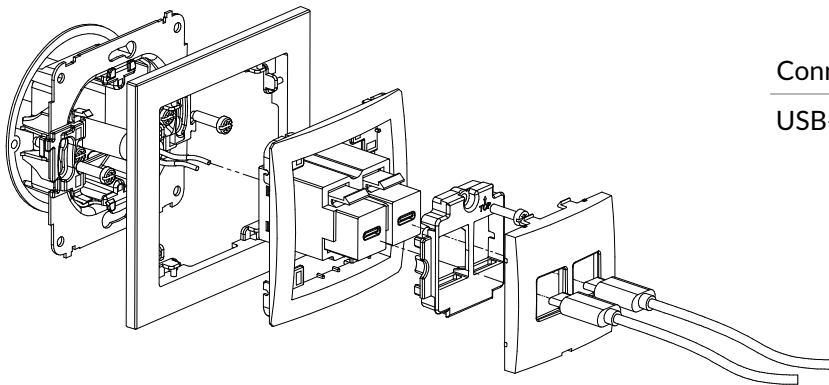
Double USB charger mechanism 2xUSB C, 20W max. + universal plastic frame



Connection type	Connection
USB-C	Screw clamps

DCUSBBO-7 + DR-1

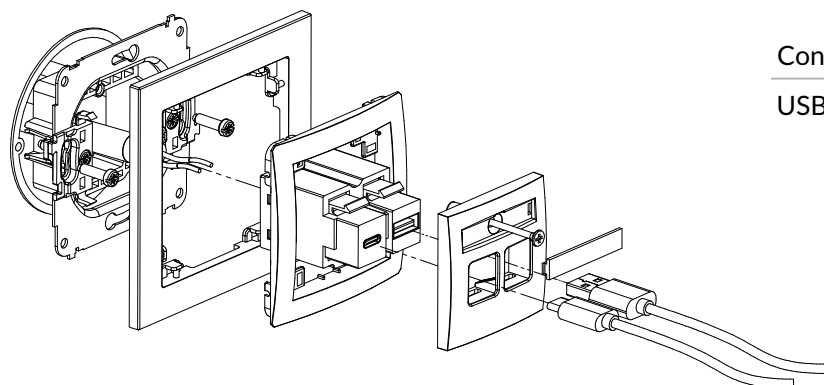
Double USB charger mechanism 2xUSB C, 20W max., without description field + universal plastic frame



Connection type	Connection
USB-C	Screw clamps

DCUSB-8 + DR-1

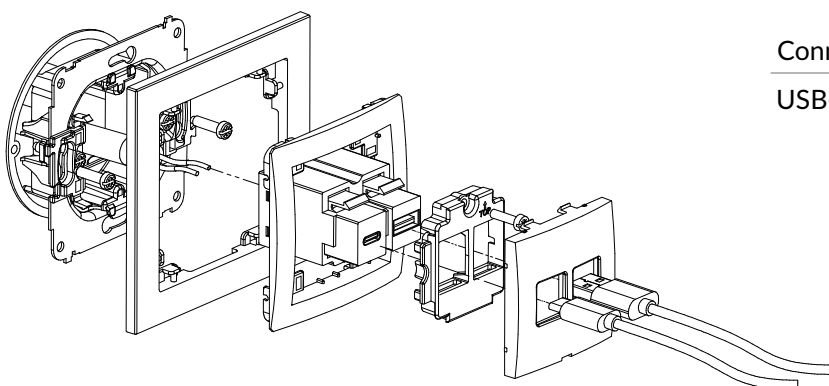
Dual USB charger mechanism USB C + USB A, 20W max. + universal plastic frame



Connection type	Connection
USB-C + USB-A	Screw clamps

DCUSBBO-8 + DR-1

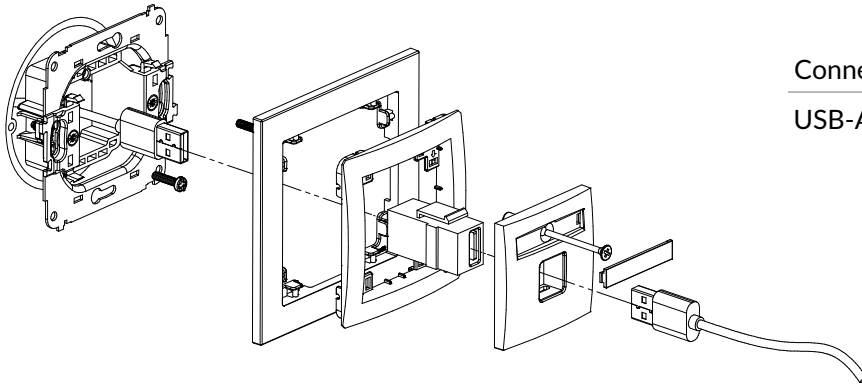
Dual USB charger mechanism USB C + USB A, 20W max., without description field + universal plastic frame



Connection type	Connection
USB-C + USB-A	Screw clamps

DGUSB-1 + DR-1

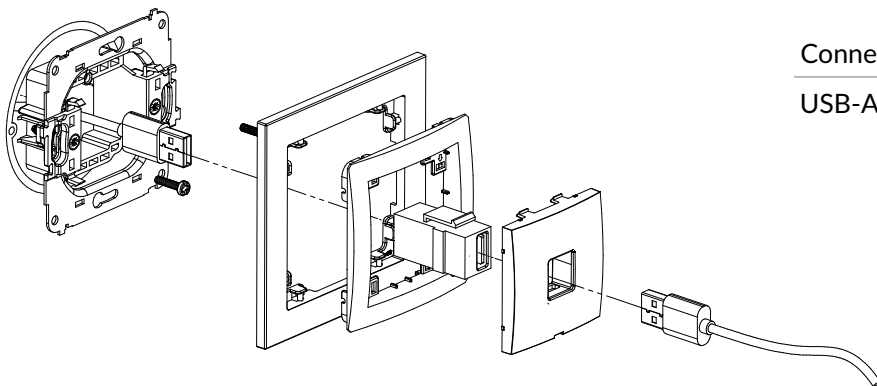
USB A-A 2.0 single socket mechanism + universal plastic frame



Connection type	Connection
USB-A 2.0	1 x USB-A socket female

DGUSBBO-1 + DR-1

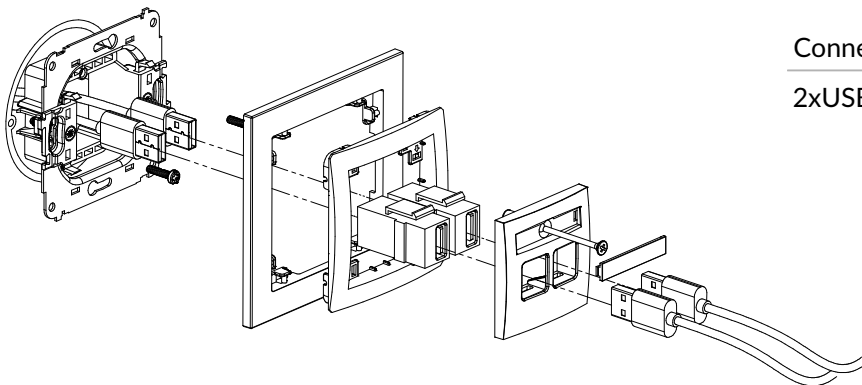
USB A-A 2.0 single socket mechanism without destruction field + universal plastic frame



Connection type	Connection
USB-A 2.0	1 x USB-A socket female

DGUSB-2 + DR-1

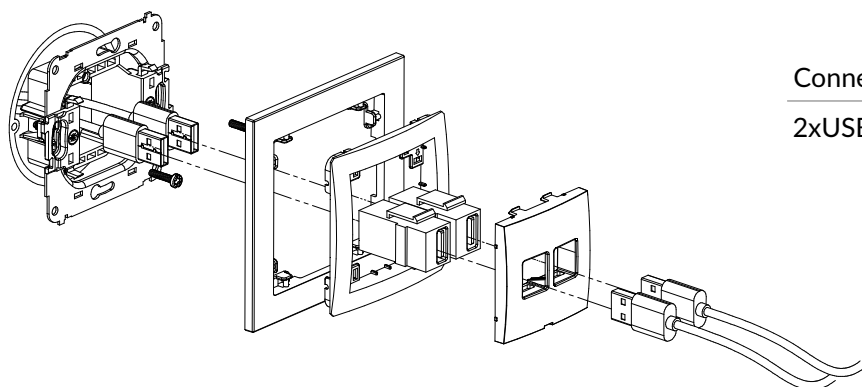
2xUSB A-A 2.0 double socket mechanism + universal plastic frame



Connection type	Connection
2xUSB-A 2.0	2 x USB-A socket female

DGUSBBO-2 + DR-1

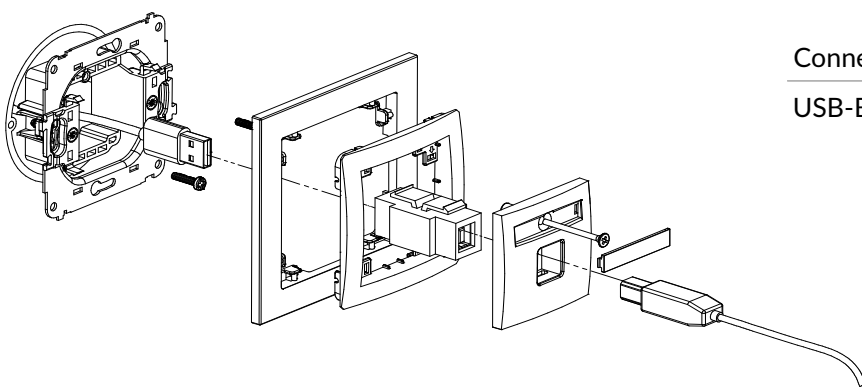
2xUSB A-A 2.0 double socket mechanism without destription field + universal plastic frame



Connection type	Connection
2xUSB-A 2.0	2 x USB-A socket female

DGUSB-3 + DR-1

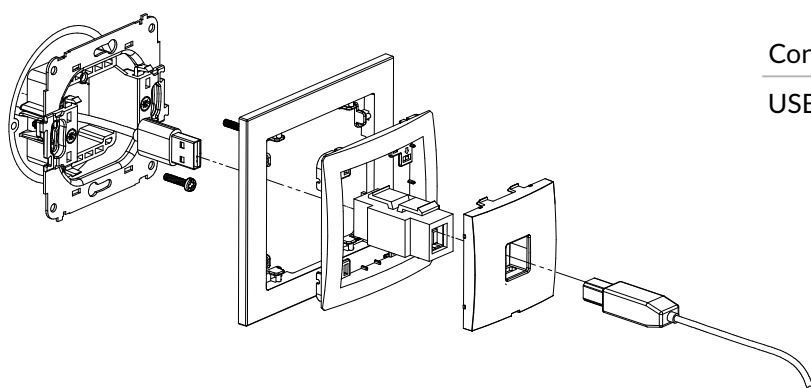
USB A-B 2.0 single socket mechanism + universal plastic frame



Connection type	Connection
USB-B 2.0	1 x USB-A socket female

DGUSBBO-3 + DR-1

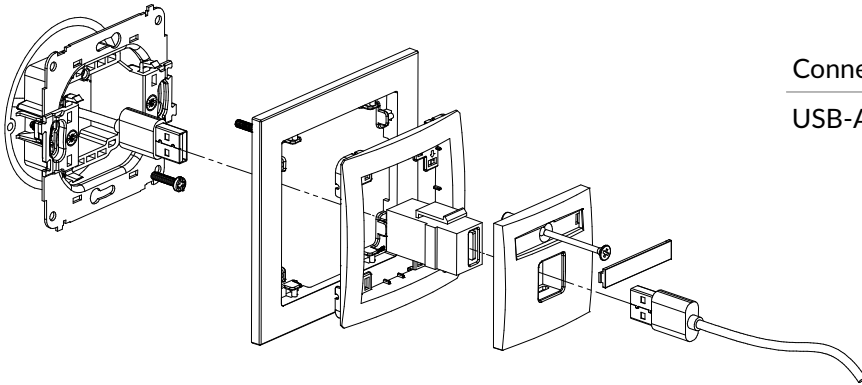
USB A-B 2.0 single socket mechanism without destription field + universal plastic frame



Connection type	Connection
USB-B 2.0	1 x USB-A socket female

DGUSB-5 + DR-1

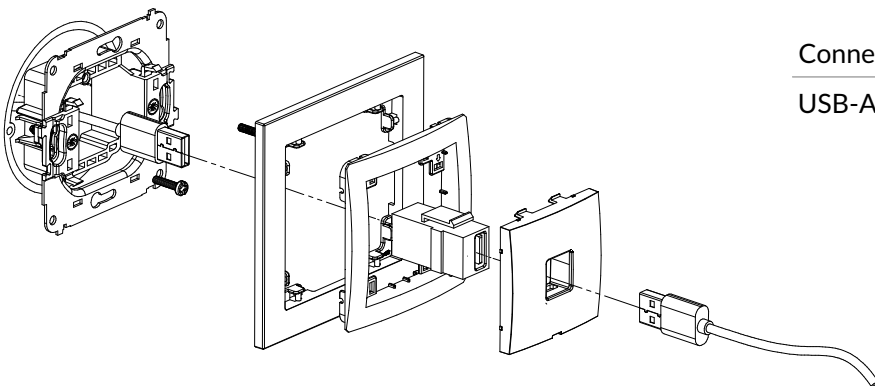
USB A-A 3.0 single socket mechanism + universal plastic frame



Connection type	Connection
USB-A 3.0	1 x USB-A socket female

DGUSBBO-5 + DR-1

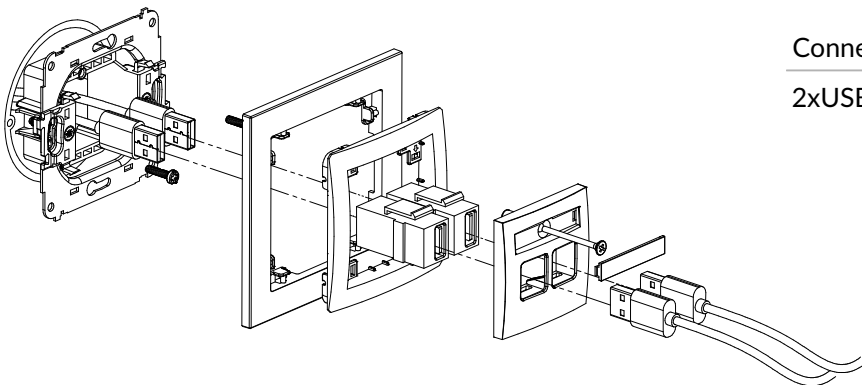
USB A-A 3.0 single socket mechanism without destruction field + universal plastic frame



Connection type	Connection
USB-A 3.0	1 x USB-A socket female

DGUSB-6 + DR-1

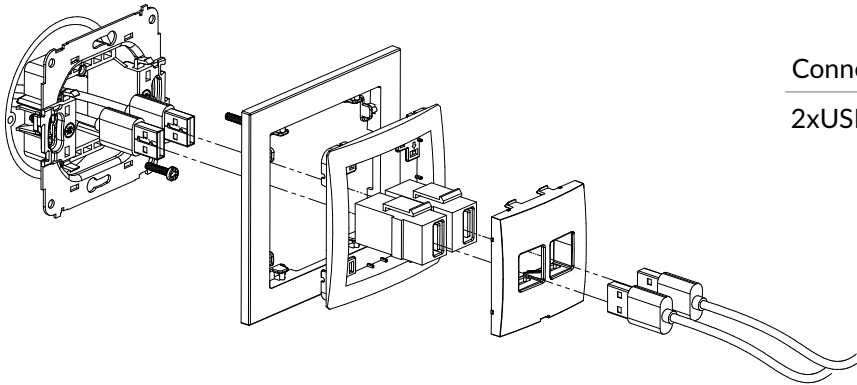
2xUSB A-A 3.0 double socket mechanism + universal plastic frame



Connection type	Connection
2xUSB-A 3.0	2 x USB-A socket female

DGUSBBO-6 + DR-1

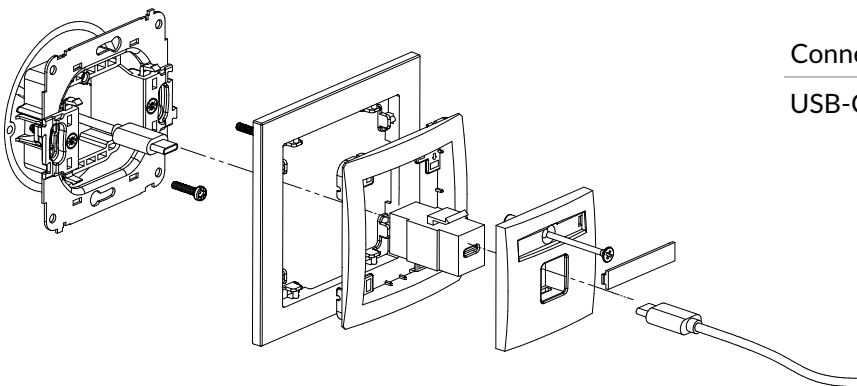
2xUSB A-A 3.0 double socket mechanism without destription field + universal plastic frame



Connection type	Connection
2xUSB-A 3.0	2 x USB-A socket female

DGUSB-7 + DR-1

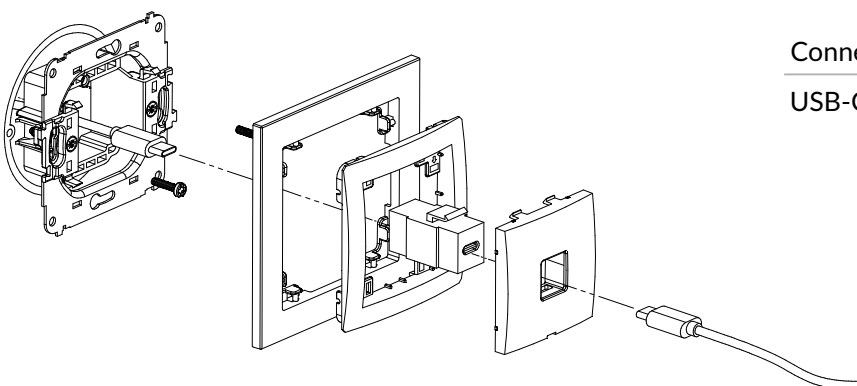
USB C-C single socket mechanism + universal plastic frame



Connection type	Connection
USB-C	1 x USB-C socket female

DGUSBBO-7 + DR-1

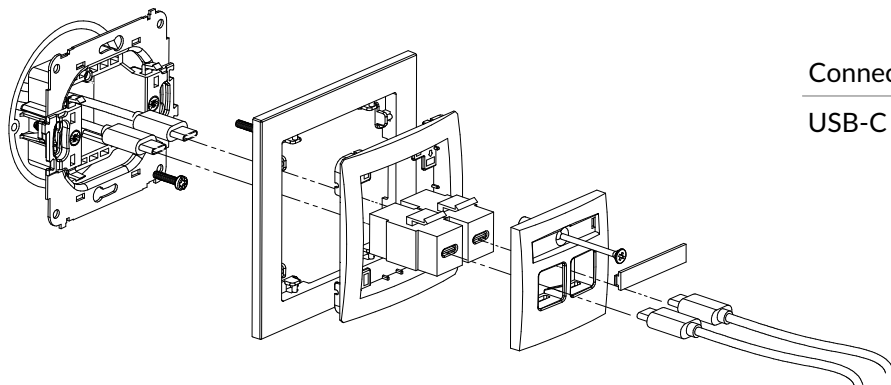
USB C-C single socket mechanism without destription field + universal plastic frame



Connection type	Connection
USB-C	1 x USB-C socket female

DGUSB-8 + DR-1

USB C-C double socket mechanism + universal plastic frame



Connection type

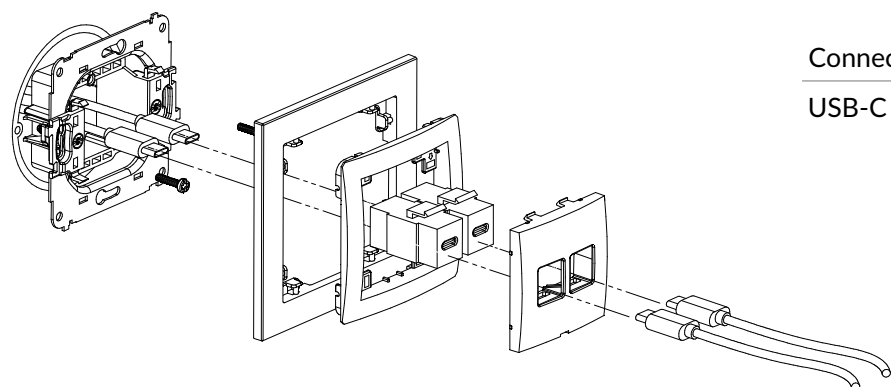
Connection

USB-C

2 x USB-C socket female

DGUSBBO-8 + DR-1

USB C-C single socket mechanism without destruction field + universal plastic frame



Connection type

Connection

USB-C

2 x USB-C socket female