

# USER MANUAL - DECO SMART - DEF-2

## 2-KEY 4-CHANNEL RADIO TRANSMITTER

### DESCRIPTION

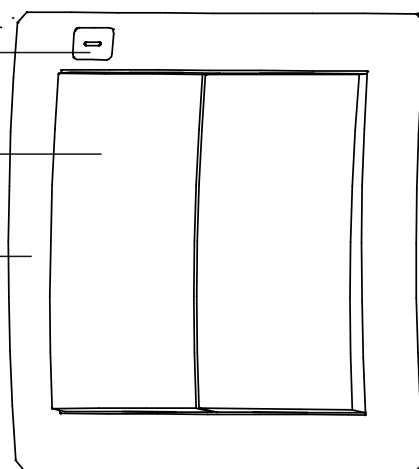
The DECO Smart DEF-2 radio transmitter is a transmission device for Exta Free wireless control system, intended to implement such control functions as activation / deactivation, brightening / darkening, rolling up/down roller blinds, time functions. The transmitter's appearance and dimensions are similar to those of an installation connector. Battery operation and lack of any wiring offer broad application possibilities. The transmitter can be set on any surface (except metal) and in any place of the room. Programming several transmitters for one receiver allows independent control of a device from several places. The red LED indicates transmission during regular operation. It is also used to indicate the condition of the battery.

### APPEARANCE

Visual indication of operation of the transmitter

Keys

Mounting frame



### FEATURES

- > 2-key 4-channel radio transmitter,
- > remote control of receivers of the Exta Free system,
- > possibility of independent control of four receivers,
- > large range of operation (up to 250 m.),
- > battery power supply,
- > easy installation in any place,
- > visual indication of sending information and battery condition,
- > possibility of simultaneous activation/deactivation of any number of receivers in the Exta Free system.

### WARRANTY CONDITIONS

Warranty is granted for a period of 24 months of the date of purchase. The defective 2-key 4-channel transmitter along with the proof of purchase should be sent to the manufacturer or to the seller. Warranty does not include battery, mechanical damages, defects resulting from unauthorised repairs and improper use of the product.

Warranty period will be extended for the duration of the repair.

## SPECIFICATION

Nominal supply voltage	3 V DC
Type of battery	CR 2032
Battery life	3–5 years (depending on usage)
Number of channels	4
Transmission	radio 868.32 MHz
Method of transmission	one-way
Encoding	transmission with addressing
Range	up to 250 m in open space
Visual indication of transmission / battery condition	LED diode red
Operation temperature	-10 ÷ +55 °C
Operation position	any
Method of installation	anchors, double-sided tape
Ingress protection of enclosure	IP 20 (PN-EN 60529)
Appliance class	III
Contamination level	2
Dimensions	67x67x17 mm
Weight	0,032 kg
Compliance with standards	PN-ETSI EN 300 220-1, PN-ETSI EN 300 220-2

## INSTALLATION INSTRUCTIONS

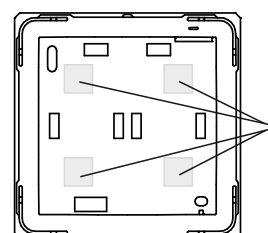
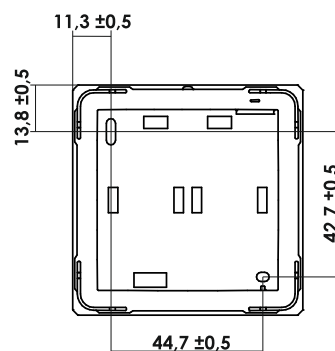
The DEF-2 transmitter is intended for installation with double-sided tape or screw anchors. During the installation one should remember not to expose the transmitter the direct effect of water or operate it in the environment of increased humidity. Temperature in the place of installation should be from -10 to +55 °C.

### INSTALLATION WITH SCREW ANCHORS:

1. Disconnect the key(s).
2. Find a place for installation of the transmitter on the wall, prepare two openings matching the installation openings in the installation frame of the DEF-2 transmitter.
3. Set screw anchors in the holes.
4. Fix the installation frame with screws.
5. Connect the key(s).

### NOTES:

- > for installation use 4 x 20 anchors with 2,5 x 20 screws or use double-sided tape,
- > the optimum thickness of double-sided tape is 0.55 mm,
- > anchors and double-sided tape are provided with the transmitter.

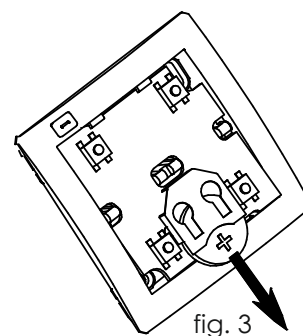
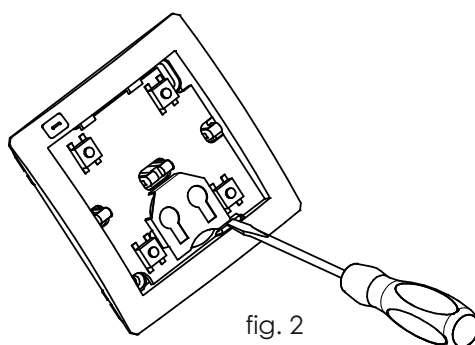
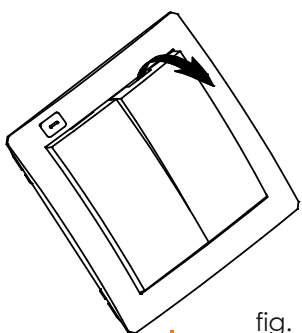


Suggested places of installation for double-sided

## BATTERY REPLACEMENT

During regular use, battery condition is indicated with LED diode flashing during transmission. If the transmitter is paired with the controller, battery condition is indicated in the mobile app with a relevant message. The transmitter indicates the necessity of replacement of the battery when its voltage drops to  $< 2.1$  V. The indication is cancelled when the battery is replaced.

1. Disconnect the key(s) (fig. 1).
2. Use a screwdriver to push up the electronics board while releasing the latch of the battery to allow its removal (fig. 2).
3. Remove the battery from the clamp (fig. 3).
4. Press any key of the transmitter several times (to discharge capacity).
5. Insert a new battery, properly polarised. Polarisation is marked on the clamp ("+" potential). NOTE: Inserting a battery incorrectly may result in damaging the transmitter!
6. Insert and snap the electronics board back in the installation frame.
7. Connect the key(s).
8. Check the operation: the diode should turn on as if during transmission.



## COMPATIBILITY AND RANGE OF OPERATION

DECO SMART TRANSMITTERS	DEF-2
EXTA FREE RECEIVERS	
ROP-01	180 m
ROP-02	200 m
ROP-05	200 m
ROP-06	200 m
ROP-07	200 m
ROB-01	200 m
SRP-02	200 m
SRP-03	200 m
RWG-01	250 m
RWL-01	180 m
ROM-01	250 m
ROM-10	250 m
RDP-01	180 m
RDP-02	180 m
RDP-11	180 m
RTN-01	250 m

### NOTE!

The stated range of operation applies to open space, that is perfect conditions, without any obstacles. If there are any obstacles between the transmitter and the receiver, the range of operation may be reduced: for brickwork from 10 to 40%, for wood and gypsum from 5 to 20%, for reinforced concrete from 40 to 80%, for metal from 90 to 100%, for glass from 10 to 20%. Overhead and underground high-capacity power lines and mobile telephony transmitters close to the devices also negatively affect the range of operation.