

# ASSEMBLY MANUAL

## ILLUMINATING MODULE LED

### FOR SWITCHES OF DECO SERIES

#### Characteristics of the module

illuminating module LED is intended for installation by the customer himself in switches of DECO series of the following types: DWP-1, DWP-2, DWP-3, DWP-3.1, DWP-4, DWP-5, DWP-6, DWP-6.1, DWP-9, DWP-10.1, DWP-10.11, DWP-4.1, DWP-44.1, DWPUS-1, DWPUS-2, DWPUS-3, DWPUS-3.1, DWPUS-4, DWPUS-5, DWPUS-6, DWPUS-6.1, DWPUS-9, DWPUS-10.1, DWPUS-10.11, DWPUS-4.1, DWPUS-44.1 and their colour variants.

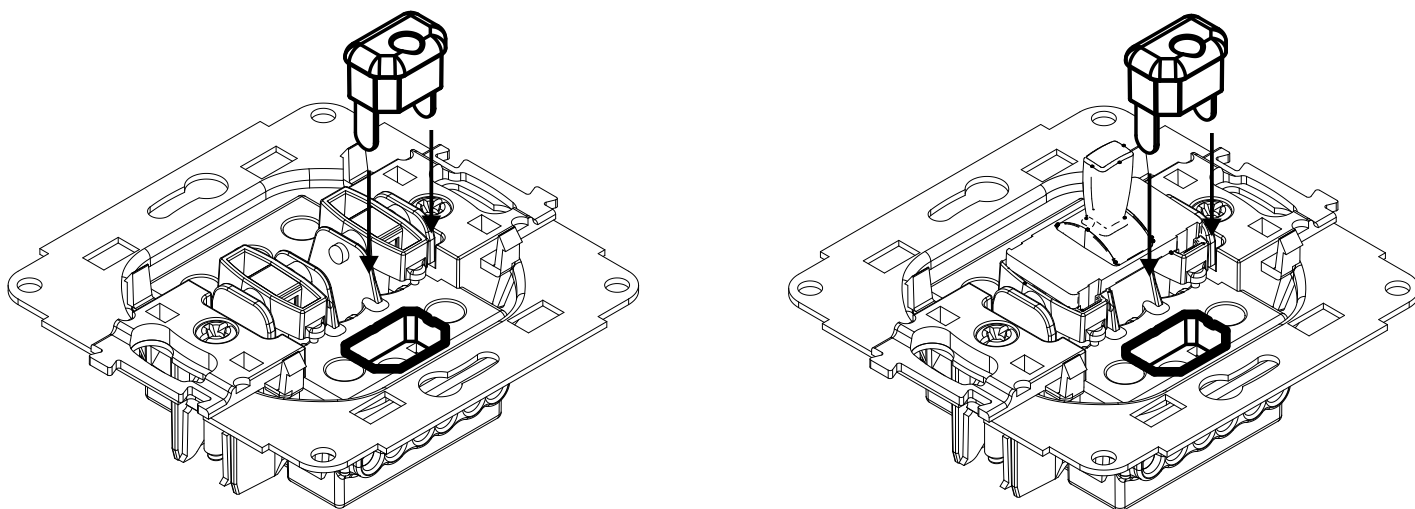
**Note!** Do not use with switches of the following types: DWP-7, DWP-8, DWP-8.1, DWP-44.2, DWP-66, DWP-66.1, DWP-88, DWP-88.1, DWP-33, DWP-33.1, DWP-10.2, DWP-10.21, DWPUS-8, DWPUS-44.2, DWPUS-33, DWPUS-33.1, DWPUS-10.2, DWPUS-10.21.

#### Way of connection

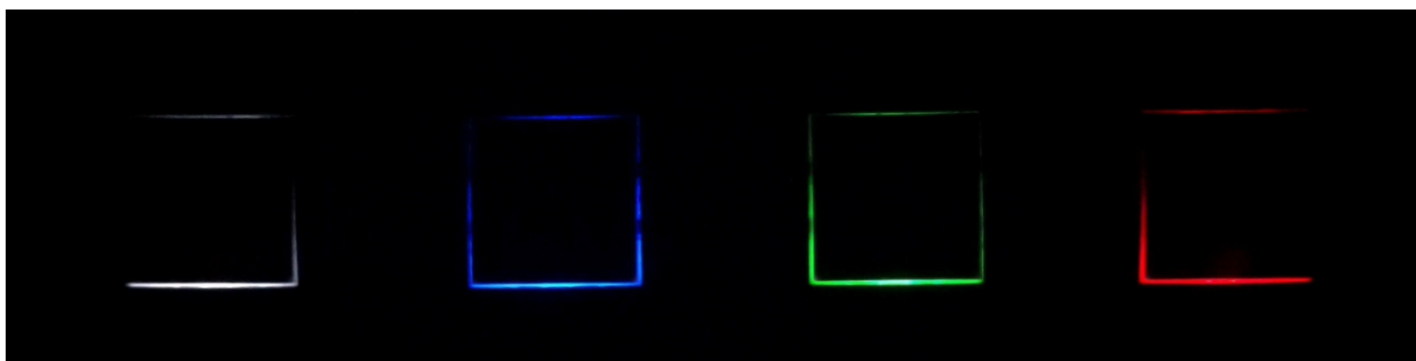
illuminating module LED shall be set parallelly in a slot in the switch box (according to the picture). Next, prior to installation of button/buttons, the external frame shall be installed or the American-style connector part.

**Note!** Assembly shall be held by a suitably qualified person with deactivated voltage and shall meet the national safety standards.

The way of setting is presented on the schema below



Colours available for the illuminating module LED



from left: white, blue, green, red