

# ASSEMBLY MANUAL

## ILLUMINATING MODULE LED

### FOR SWITCHES OF FLEXI SERIES

#### Characteristics of the module

illuminating module LED is intended for installation by the customer himself in switches of FLEXI series of the following types: FWP-1, FWP-2, FWP-3, FWP-3.1, FWP-4, FWP-5, FWP-6, FWP-6.1, FWP-9, FWP-10.1, FWP-10.11, FWP-4.1, FWP-44.1 and their colour variants.

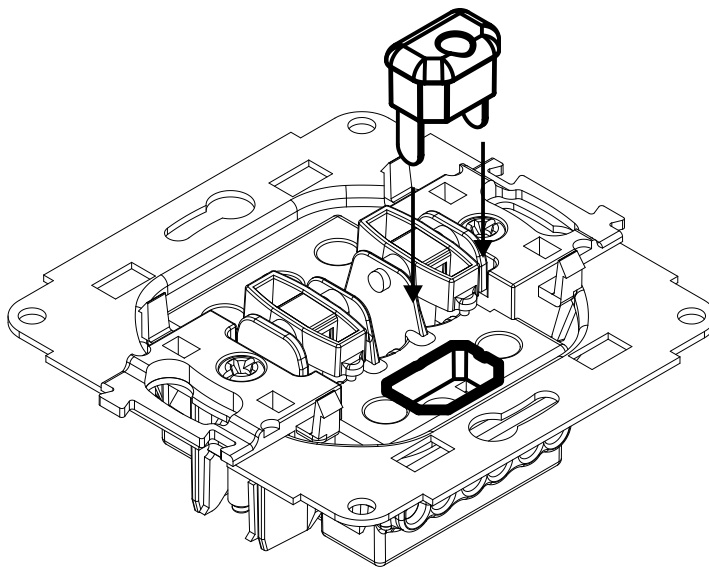
**Note!** Do not use with switches of the following types: FWP-7, FWP-8, FWP-8.1, FWP-44.2, FWP-88, FWP-88.1, FWP-33, FWP-33.1, FWP-10.2, FWP-10.21.

#### Way of connection

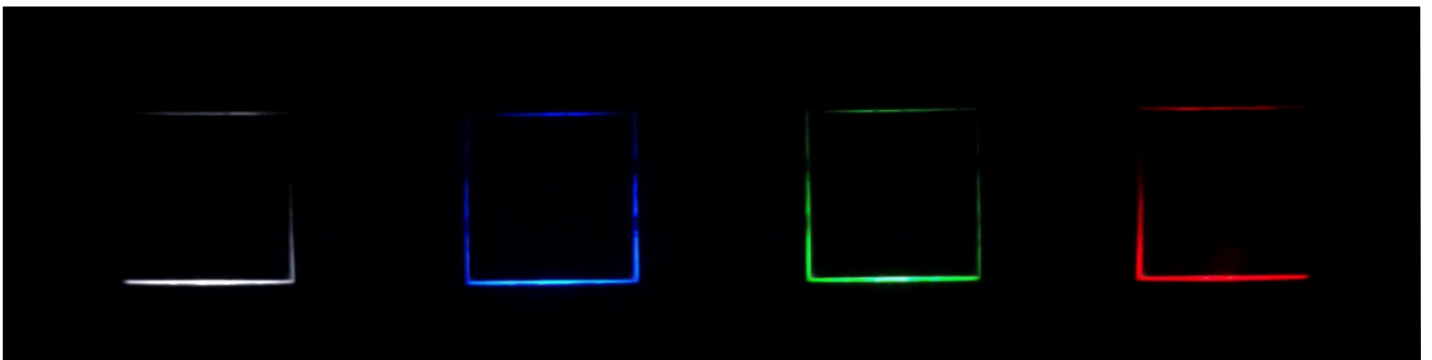
illuminating module LED shall be set parallelly in a slot in the switch box (according to the picture). Next, prior to installation of button/buttons, the external frame shall be installed.

**Note!** Assembly shall be held by a suitably qualified person with deactivated voltage and shall meet the national safety standards.

The way of setting is presented on the schema below



#### Colours available for the illuminating module LED



from left: white, blue, green, red