

# USER MANUAL – ELECTRONIC LIGHTNING CONTROLLER WITH PUSH AND ROTARY BUTTON

## Characteristics of electronic lightning controller with push and rotary button

Electronic lightning controller with push and rotary button (dimmer switch) enables stepless adjustment of light intensity from 0 to 100% of full power of the illumination and it can be used with almost every frame.

With electricity consumption proportionate to the lightning level it increases comfort and daily electricity savings.

Lightning controller is used to control illumination level of typical incandescent lightning. Controlling involves the use of potentiometer with switch. The configuration enables intelligent control of lightning systems and is convenient and economic in use. The controller is equipped with overload and short-circuit protection.

## Technical data

Symbol	...IRO-1
Power supply	230V 50Hz
Tolerance of voltage supply	-15 ÷ +10%
Light control	switch and regulation on potentiometer (10÷100%)
Cooperation with load	convectional incandescent, halogen 230V, low voltage halogen 12V (with conventional and toroidal transformer)
Load capacity	40÷400W
Scope of regulation	5÷40°C
Control unit	triak
Number of connection clamps	3
Cross section of connection cables	max 1,5 mm <sup>2</sup>
Fixing of the casing	standard flash-mounted wall box Ř 60mm
Temperature working range	from -20°C to +45°C
Withstand voltage	2KV (PN-EN 60669-1)
Safety class	II
Surge voltage category	II
Contamination level	2
Dimension with external frame	85,4x85,4x50,7
Protection index	IP 20

## Warranty terms

The guarantee is provided for a term of twelve months from the date of purchase. The defective controller must be delivered to the producer or to the seller with a purchase document. The guarantee does not cover the fuse exchange, mechanical damage, damages raised by self-repair or improper use.

The warranty period shall be extended by the duration of the repair

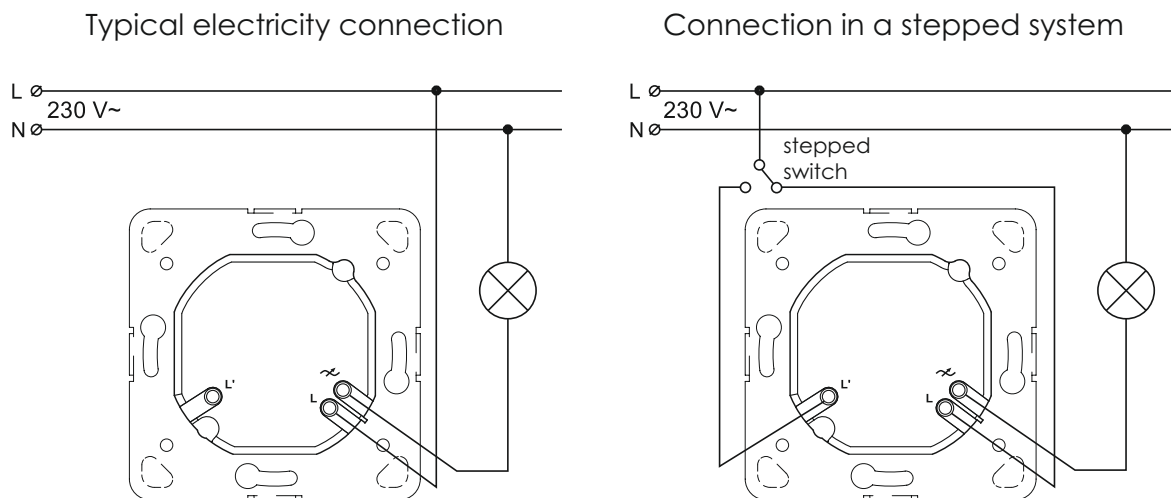
# USER MANUAL – ELECTRONIC LIGHTNING CONTROLLER WITH PUSH AND ROTARY BUTTON

## ASSEMBLY MANUAL

### Installation

1. Deactivate the main fuses of home installation.
2. Check if there is the phase wire brought into the installation box.
3. Prise the regulatory button with use of screwdriver and remove it.
4. Push clips on side walls of the external adapter with flat screwdriver and remove it.
5. Pull out the intermediate frame from the dimmer module.
6. Connect the phase wire to the clamp of the controlled
7. Connect the other wire to the clamp with an arrow\*. (\*In case of dual-circuit system connect the third and the fourth wire to the clamp with an arrow.)
8. Assemble the dimmer module in the installation box with resilient clips or fastening screws that are supplied with the box.
9. Assembly the external frame with the intermediate frame.
10. Assembly the dimmer and the control button.
11. Activate the main fuses of home installation and carry out functional tests.

### Electric connection scheme of the electronic lightning controller with push and rotary button



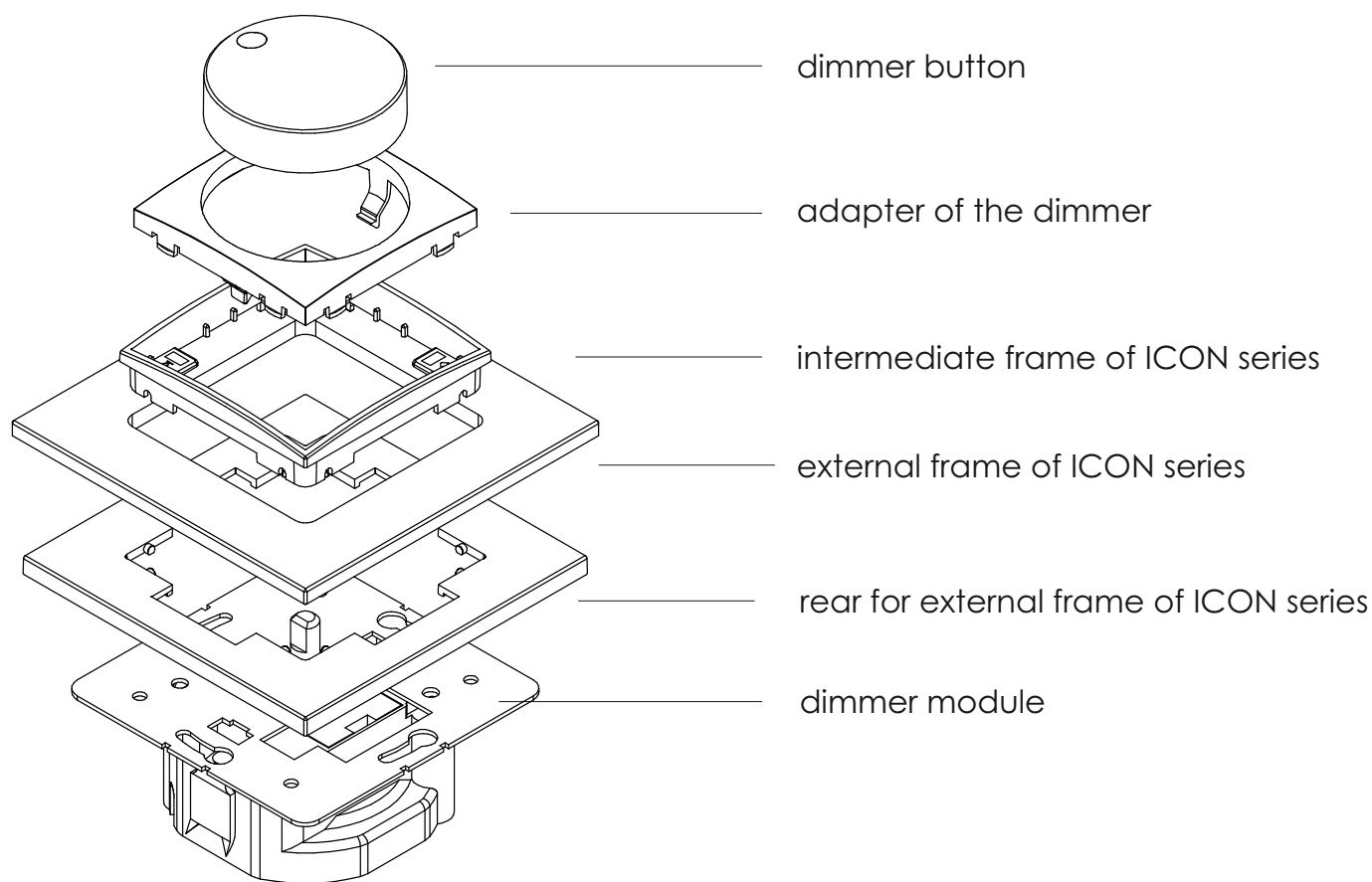
### Note!

Assembly shall be held by a suitably qualified person with deactivated voltage and shall meet the national safety standards.

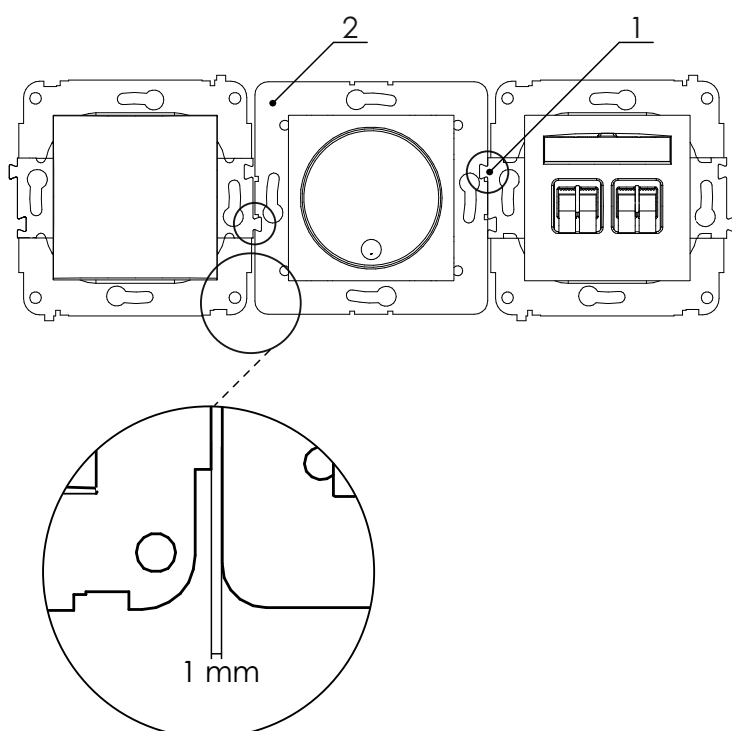
**Connecting two regulators in a two-way system may damage regulators.**

# USER MANUAL – ELECTRONIC LIGHTNING CONTROLLER WITH PUSH AND ROTARY BUTTON

## Components of the electronic lightning controller with push and rotary button



## Installation instructions for electronic light controller mechanism in multiple frames



1. First, install the electronic light control mechanism in the mounting box. The other adjacent mechanisms are installed so that the "dovetails"(1) (if any) overlap the central plate of the controller (2).

2. The distance between the central frame of the dimmer and the adjacent products should be about 1 mm.