

USER MANUAL – ELECTRONIC TEMPERATURE CONTROLLER WITH AERIAL SENSOR

Characteristics of electronic temperature controller with aerial sensor

Electronic temperature controller enables maintaining set air temperature or floor temperature automatically. The controller with overhead sensor shall apply in rooms with any type of heating (underfloor heating or radiators). Each circuit constitute independent heating system to be set individually.

Technical data

Symbol	...IRT-2
Power supply	230V 50Hz
Load range	3200W
Type of work	Continuous
Type of regulation	Smooth
Scope of regulation	5÷40°C
Dimension with external frame	85,4x85,4x59,2
Protection index	IP 20

Warranty terms

The guarantee is provided for a term of twelve months from the date of purchase. The defective controller must be delivered to the producer or to the seller with a purchase document. The guarantee does not cover the fuse exchange, mechanical damage, damages raised by self-repair or improper use.

The warranty period shall be extended by the duration of the repair.

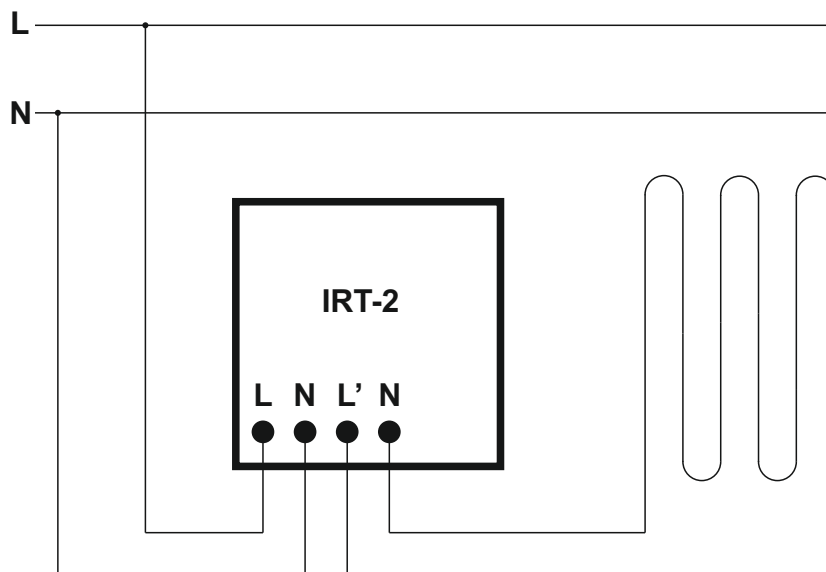
ASSEMBLY MANUAL

Installation

1. Deactivate the main fuses of home installation.
2. Prise the control knob with use of screwdriver and remove it.
3. Push clips on side walls of the lid with flat screwdriver and remove the adapter of the controller.
4. Push clips on side walls of the lid with flat screwdriver and remove the control module.
5. Pull out the intermediate frame from the control module of the controller.
6. Connect installation wires to the power supply module following the diagram below.
7. Assemble the power supply module of the controller in the installation box with resilient clips or fastening screws that are supplied with the box. To provide precise temperature measurement watch that the adapter of the control module is in the bottom part of the power supply module.
8. Assembly the external frame with the intermediate frame.
9. Push slightly the control module to press it into the power supply module.
10. Assembly the adapter and watch the precise click of the clips.
11. Set the minimal and maximal temperature with the use of limiters (standard setting is 5+40°C).
12. Assembly the control knob.
13. Activate the main fuses of home installation and run an operational test.

USER MANUAL – ELECTRONIC TEMPERATURE CONTROLLER WITH AERIAL SENSOR

Electric connection scheme of the electronic temperature controller



Note!

Assembly shall be held by a suitably qualified person with deactivated voltage and shall meet the national safety standards.

Components of the electronic temperature controller with aerial sensor

