

# ASSEMBLY MANUAL ILLUMINATING MODULE LED FOR SWITCHES OF MINI SERIES

## Characteristics of the module

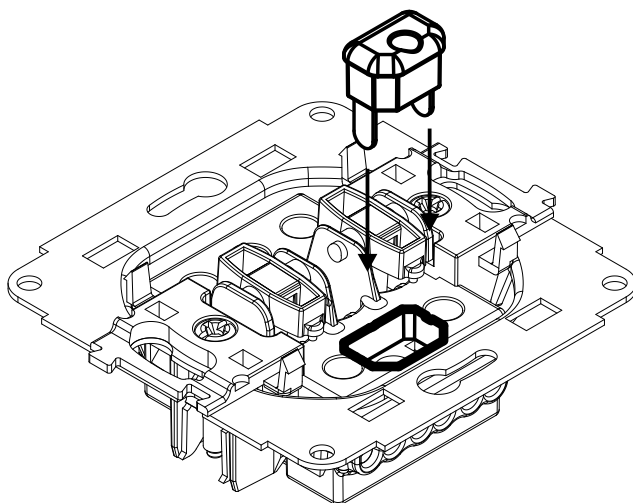
Illuminating module LED is intended for installation by the customer himself in switches of ICON serie of the following types: MWP-1, MWP-2, MWP-3, MWP-3.1, MWP-4, MWP-5, MWP-6, MWP-6.1, MWP-9, MWP-10.1, MWP-10.11, MWP-4.1, MWP-44.1, MWBUS-1, MWBUS-2, MWBUS-3, MWBUS-3.1, MWBUS-4, MWBUS-5, MWBUS-6, MWBUS-6.1, MWBUS-9, MWBUS-10.1, MWBUS-10.11, MWBUS-4.1, MWBUS-44.1 and their colour variants.

**Note!** Do not use with switches of the following types: MWP-7, MWP-8, MWP-8.1, MWP-44.2, MWP-66, MWP-66.1, MWP-88, MWP-88.1, MWP-33, MWP-33.1, MWP-10.2, MWP-10.21, MWBUS-8, MWBUS-44.2, MWBUS-33, MWBUS-33.1, MWBUS-10.2, MWBUS-10.21.

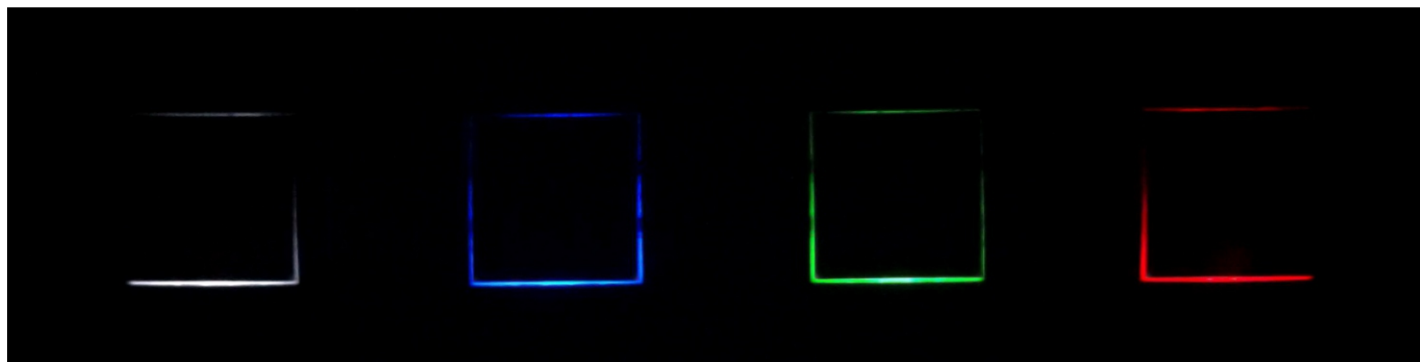
## Way of connection

Illuminating module LED shall be set parallelly in a slot in the switch box (according to the picture). Next, prior to installation of button/buttons, the external frame shall be installed.

**Note!** Assembly shall be held by a suitably qualified person with deactivated voltage and shall meet the national safety standards.



## Colours available for the illuminating module LED



from left: white, blue, green, red