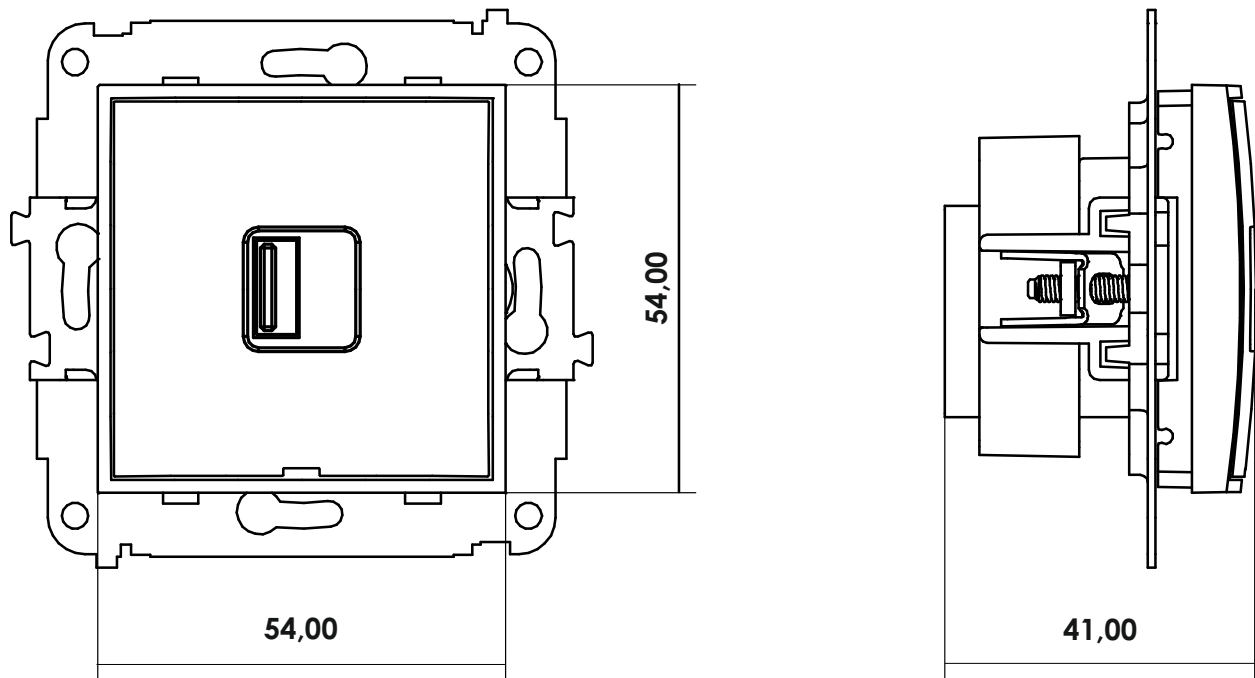


USER MANUAL: MCUSBBO-1 / MCUSBBO-3 SINGLE USB CHARGER

Specification of MCUSBBO-1 / MCUSBBO-3 single USB charger

The MCUSBBO-1 / MCUSBBO-3 charger is intended to charge devices like smartphones, MP3 players and other electronic equipment. Before connecting the device, check compliance of the charger with charging parameters of the given device.



Specification

Number of USB ports (type A))	1
Nominal input voltage	110-240 V~ 50/60Hz
Nominal input current	0,25 A
Nominal output voltage	5 V DC
Nominal output current	1 A / 2 A
Ingress protection degree	IP 20

Warranty conditions

Warranty is granted for a period of 12 months of the date of purchase. The defective MCUSBBO-1/ MCUSBBO-3 charger along with the proof of purchase should be sent to the manufacturer or to the seller. Warranty does not include mechanical damages, defects resulting from unauthorised repairs and improper use of the product.

Warranty period will be extended for the duration of the repair.

ASSEMBLY INSTRUCTIONS

1. Remove the adapter (2) of the charger by levering it with a knife or a flat screwdriver in the place of the recess (1) on the adapter.
2. Unscrew the screw (3) and pull out the adapter (4) together with the USB charger module (5). If necessary, you can detach the USB charger module from the adapter by pressing the movable catch on the module.
3. Disassemble the intermediate frame (6) from the mounting block (8). To disassemble, bend the cube latches or pull the intermediate frame harder.
4. Install the mounting block (8) in the box (9) using claws or screws at the box (10).
5. Attach the intermediate frame (6) to the outer frame (7) and snap the whole thing onto the latches (8) protruding from the cube.
6. Connect the power cable to the terminal strip of the USB charger module (see Figure 2) respectively, the phase wire under the "L" terminal, the neutral wire under "N".
7. Insert the adapter (4) with the USB charger module (5) into the intermediate frame (6) and screw it to the mounting block (8) using the screw (3).
8. Insert the adapter (2).

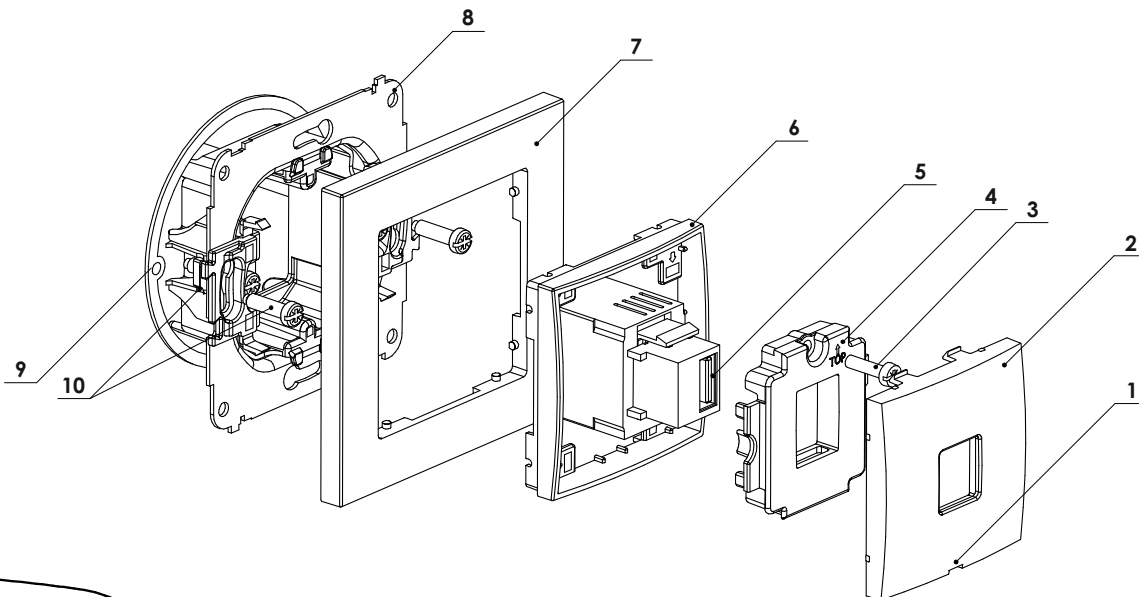


Fig. 1

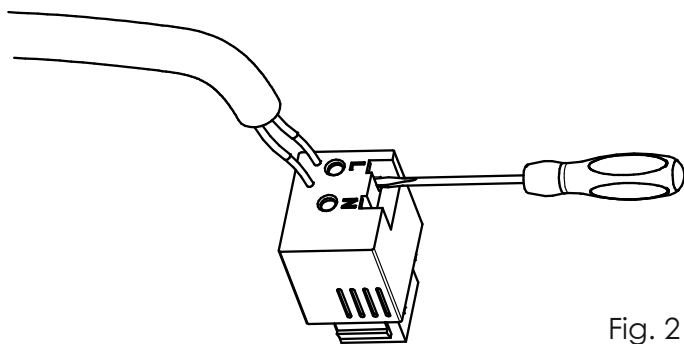


Fig. 2

NOTE!

The installation must be done by a person with sufficient qualifications, with power supply disconnected, and must comply with national safety standards.

The connection to the installation should be done as shown in Figure 2. With improper connection, the charger may be damaged or may work incorrectly.

USB charger mechanism with idle power supply consumes less than about 0,2W.