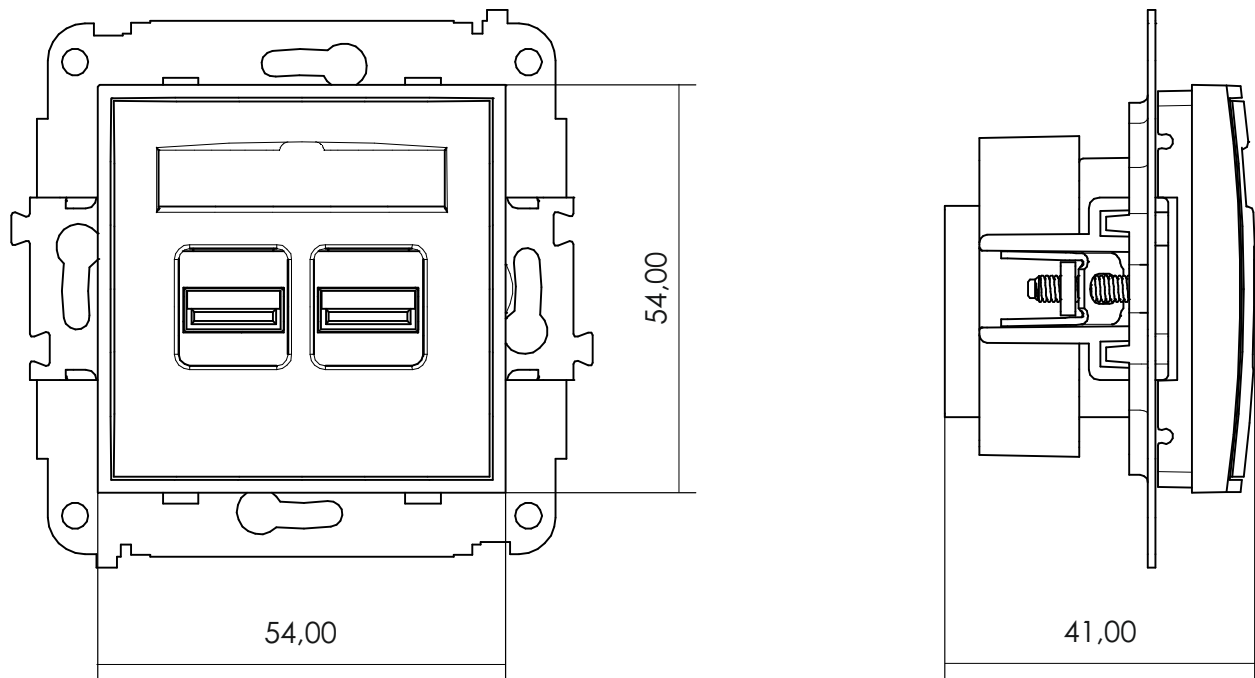


USER MANUAL -MCUSB-6

DOUBLE USB CHARGER

Specification of MCUSB-6 double USB charger

The MCUSB-6 charger is intended to charge devices like smartphones, MP3 players and other electronic equipment. Before connecting the device, check compliance of the charger with charging parameters of the given device.



Dane techniczne

Number of USB ports (type A)	2
Nominal input voltage	100-240V AC; 50/60Hz
Nominal input current	0,25 A
Nominal output voltage	5 V DC
Nominal output current	3.1 A (total value for the whole mechanism)
Ingress protection degree	IP 20

Warranty conditions

Warranty is granted for a period of 12 months of the date of purchase. The defective DCUSB-6 charger along with the proof of purchase should be sent to the manufacturer or to the seller. Warranty does not include mechanical damages, defects resulting from unauthorised repairs and improper use of the product.

Warranty period will be extended for the duration of the repair.

ASSEMBLY INSTRUCTIONS

1. Remove the glass panel (1) with the label applying a knife or a flat screwdriver in the recess (3).
2. Remove the screw (2).
3. Dismantle the USB charger modules (4).
4. Remove the spacer frame (5) from the assembly block (7). Pull away the block tabs or pull the frame tightly to do this.
5. Set the assembly block in the box (9) with tabs or screws at the box (8).
6. Insert the spacer frame in the external frame (6) and snap the entire set on the tabs protruding from the assembly block.
7. Connect the wires of the installation to the USB charger module as shown in Figure 2.
8. Insert the USB charger modules in the intermediary unit.
9. Screw down the intermediary unit to the assembly block.
10. Attach the label and glass pane.

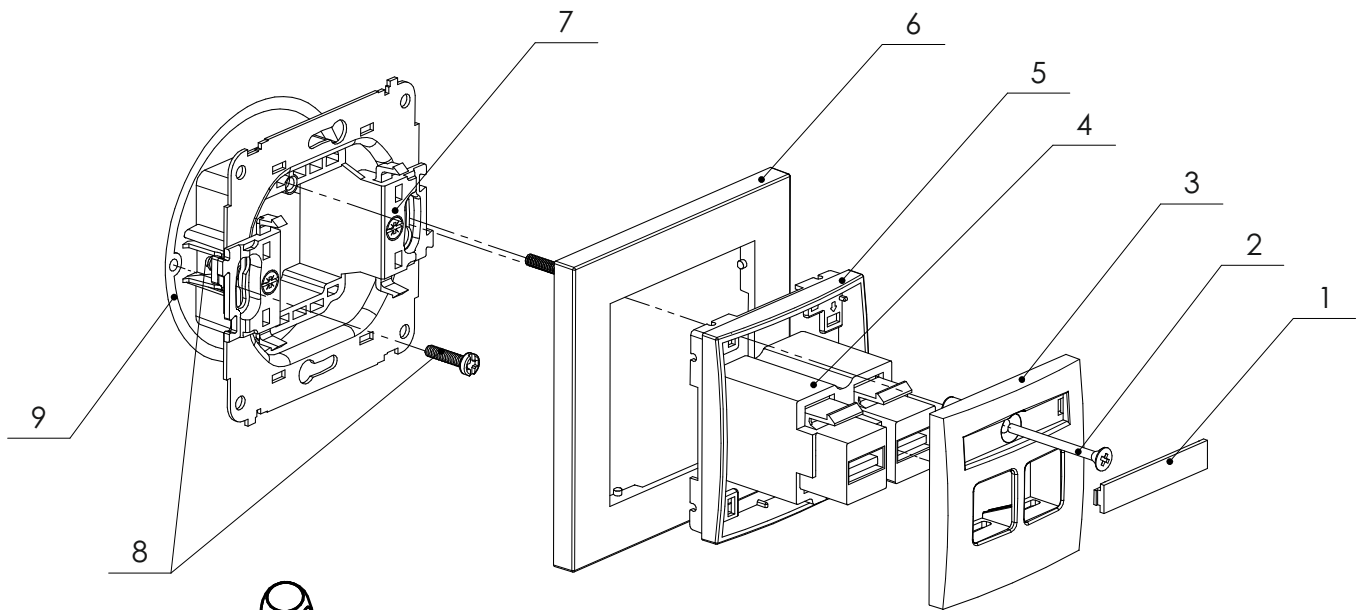


Fig. 1

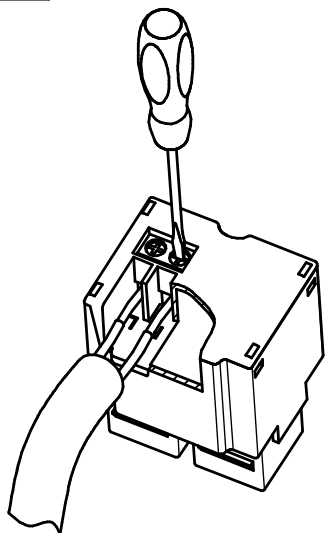


Fig. 2

NOTE!

The installation must be done by a person with sufficient qualifications, with power supply disconnected, and must comply with national safety standards.

The connection to the installation should be done as shown in Figure 2. With improper connection, the charger may be damaged or may work incorrectly.

USB charger mechanism with idle power supply consumes less than about 0,2W.