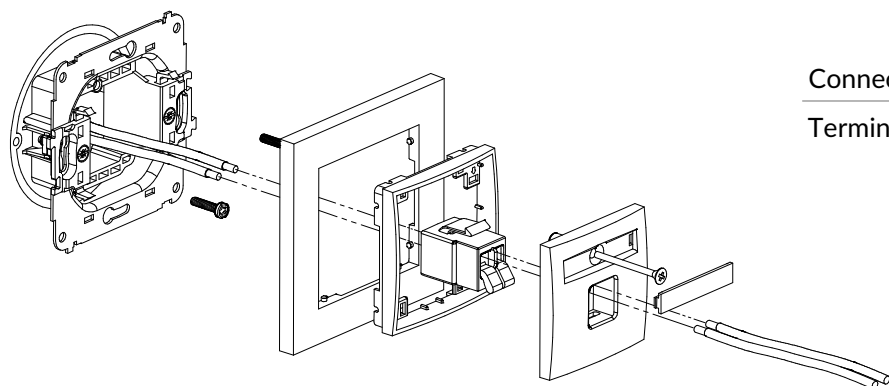


MINI SERIES MULTIMEDIA SOCKETS CONNECTION METHOD

MGG-1 + MR-1

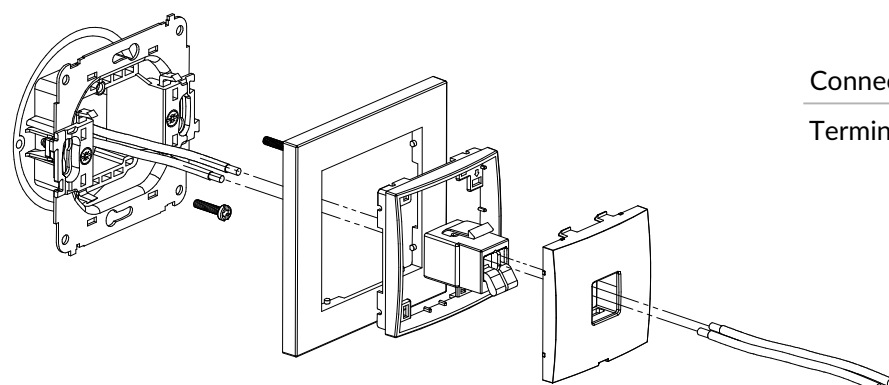
Single loudspeaker socket (2,5mm²) mechanism + universal plastic frame



Connection type	Connection
Terminal	Screw clamps

MGGBO-1 + MR-1

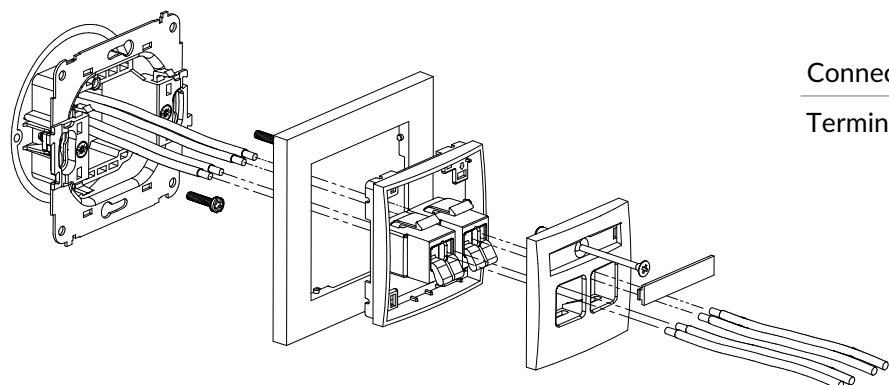
Single loudspeaker socket (2,5mm²) mechanism without destruction field + universal plastic frame



Connection type	Connection
Terminal	Screw clamps

MGG-2 + MR-1

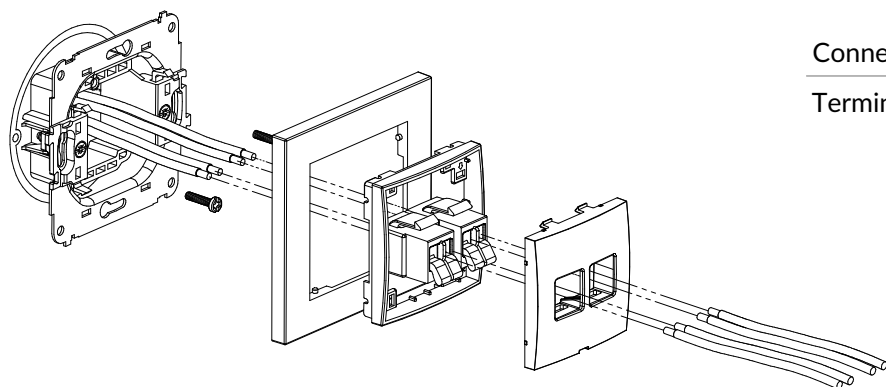
Double loudspeaker socket (2,5mm²) mechanism + universal plastic frame



Connection type	Connection
Terminal	Screw clamps

MGGBO-2 + MR-1

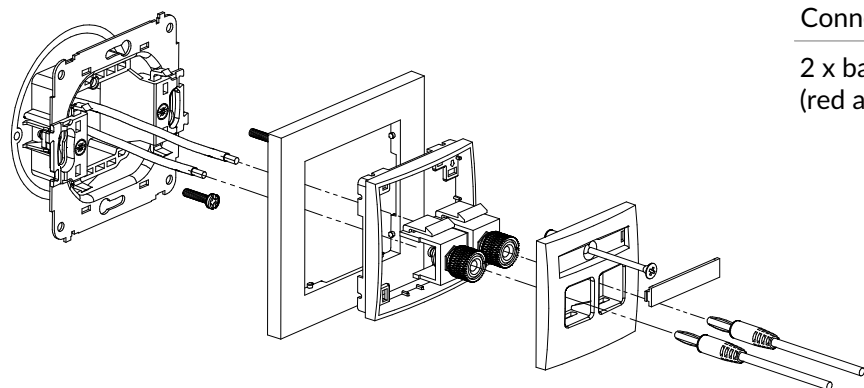
Double loudspeaker socket (2,5mm²) mechanism without destription field + universal plastic frame



Connection type	Connection
Terminal	Screw clamps

MGG-3 + MR-1

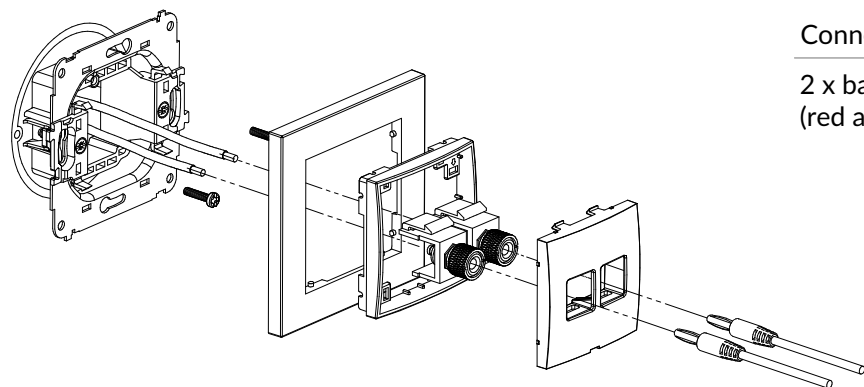
Single loudspeaker socket (banana type - red and black, gold-plated, 4mm², soldering) mechanism + universal plastic frame



Connection type	Connection
2 x banana gold plated (red and black)	For soldering

MGGBO-3 + MR-1

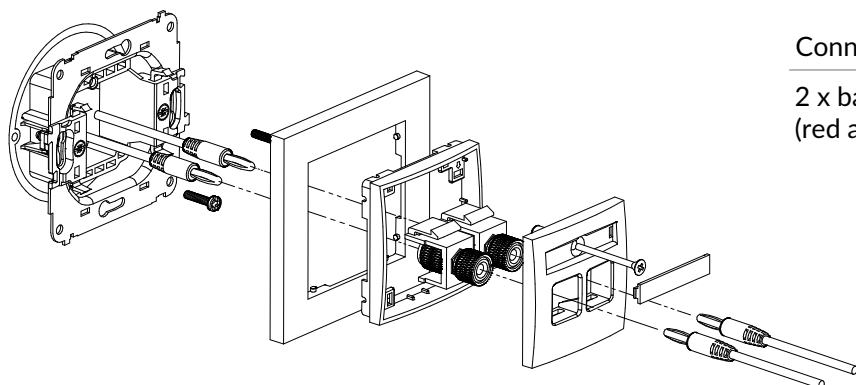
Single loudspeaker socket (banana type - red and black, gold-plated, 4mm², soldering) mechanism without destription field + universal plastic frame



Connection type	Connection
2 x banana gold plated (red and black)	For soldering

MGG-4 + MR-1

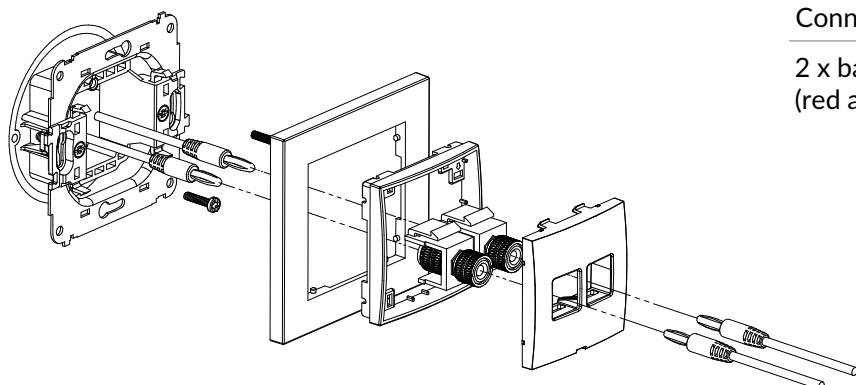
Single loudspeaker socket (banana type - red and black, gold-plated, 4mm², twisted) mechanism + universal plastic frame



Connection type	Connection
2 x banana gold plated (red and black)	SkręćScrewedcane

MGGBO-4 + MR-1

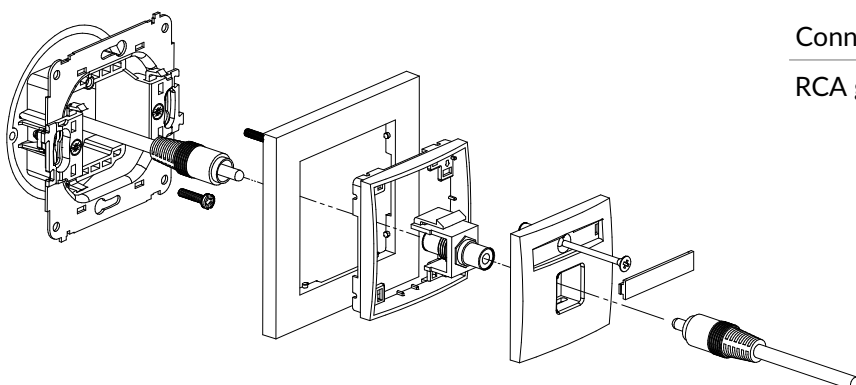
Single loudspeaker socket (banana type - red and black, gold-plated, 4mm², twisted) mechanism without destription field + universal plastic frame



Connection type	Connection
2 x banana gold plated (red and black)	Screwed

MGRCA-1 + MR-1

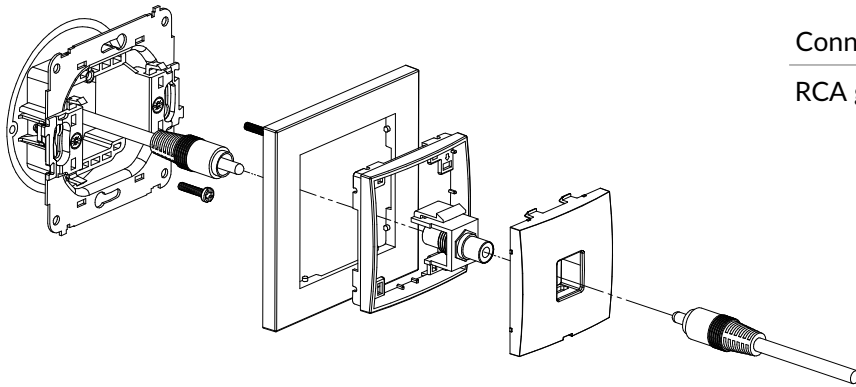
RCA single socket (cinch type - yellow, gold-plated) mechanism + universal plastic frame



Connection type	Connection
RCA gold-plated	1 x RCA (cinch) female, yellow marker, gold plated

MGRCABO-1 + MR-1

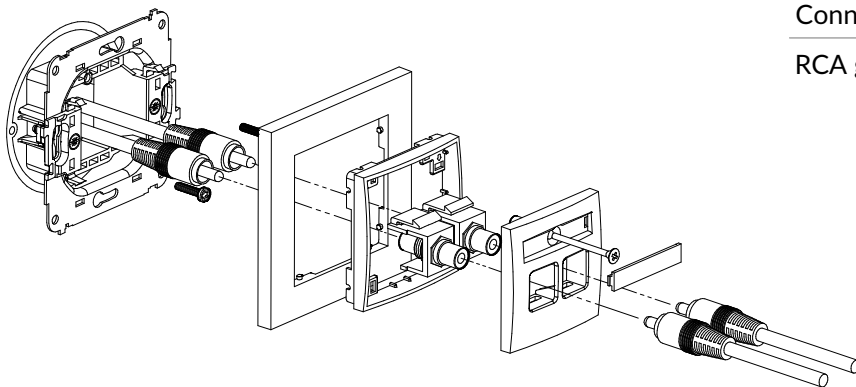
RCA single socket (cinch type - yellow, gold-plated) mechanism without destription field + universal plastic frame



Connection type	Connection
RCA gold-plated	1 x RCA (cinch) female, yellow marker, gold plated

MGRCA-2 + MR-1

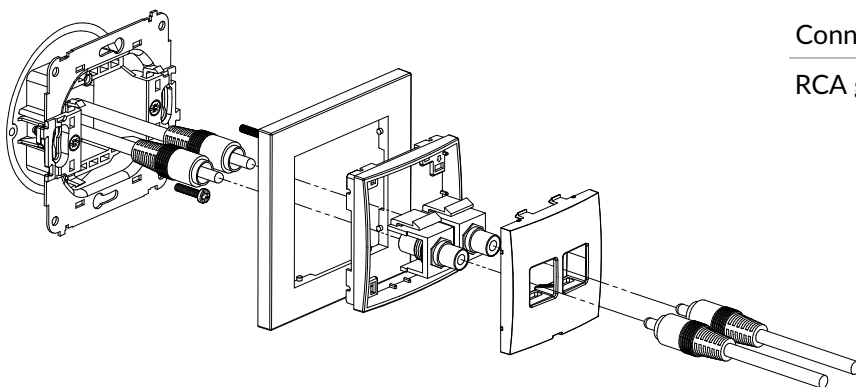
RCA double socket (cinch type - white and red, gold-plated) mechanism + universal plastic frame



Connection type	Connection
RCA gold-plated	2 x RCA (cinch) female, white and red marker, gold plated

MGRCABO-2 + MR-1

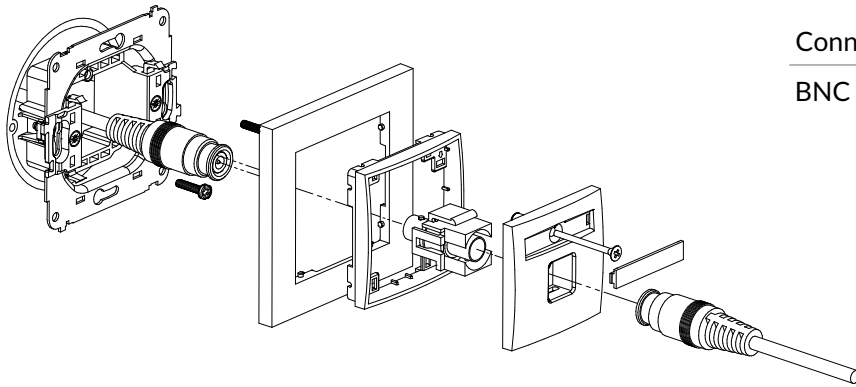
RCA double socket (cinch type - white and red, gold-plated) mechanism without destription field + universal plastic frame



Connection type	Connection
RCA gold-plated	2 x RCA (cinch) female, white and red marker, gold plated

MGBNC-1 + MR-1

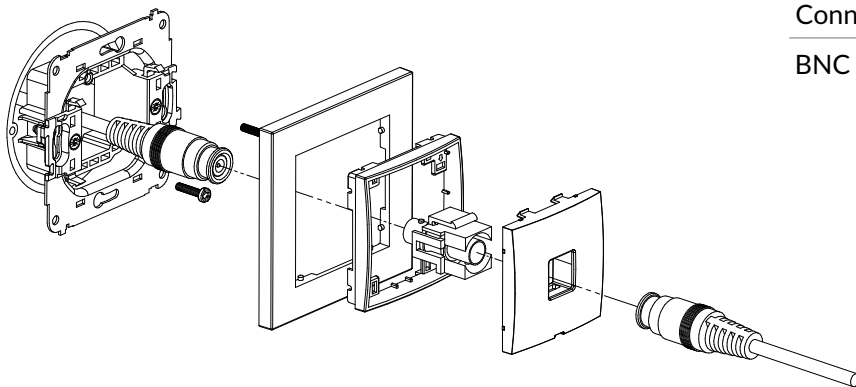
BNC single socket mechanism + universal plastic frame



Connection type	Connection
BNC	Screwed

MGBNCBO-1 + MR-1

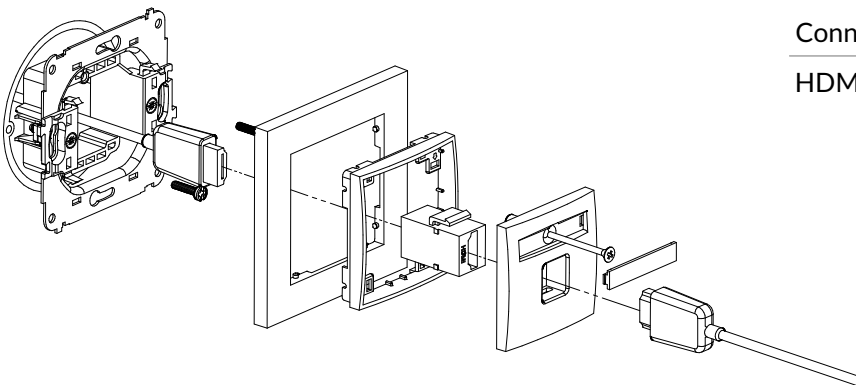
BNC single socket mechanism without destruction field + universal plastic frame



Connection type	Connection
BNC	Screwed

MHDMI-3 + MR-1

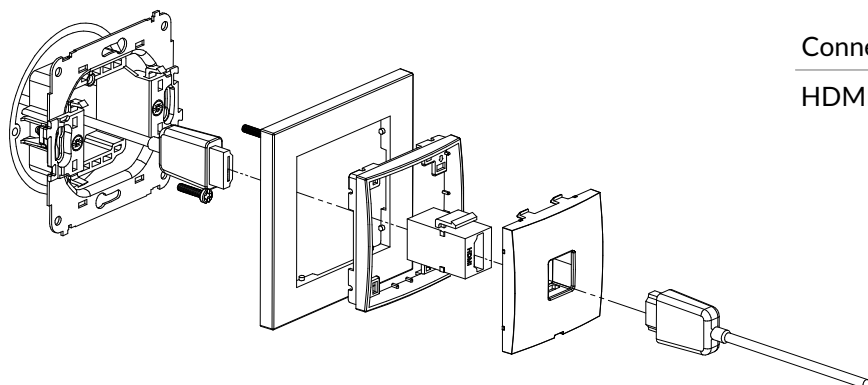
HDMI 2.0 single socket mechanism + universal plastic frame



Connection type	Connection
HDMI	1 x HDMI socket female

MHDMIBO-3 + MR-1

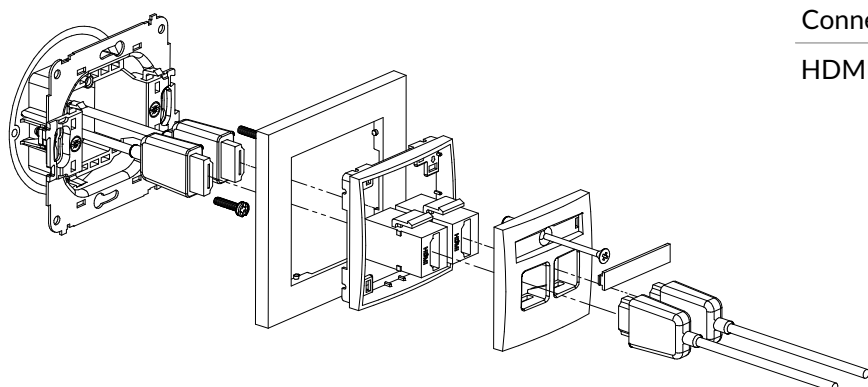
HDMI 2.0 single socket mechanism without destription field + universal plastic frame



Connection type	Connection
HDMI	1 x HDMI socket female

MHDMI-4 + MR-1

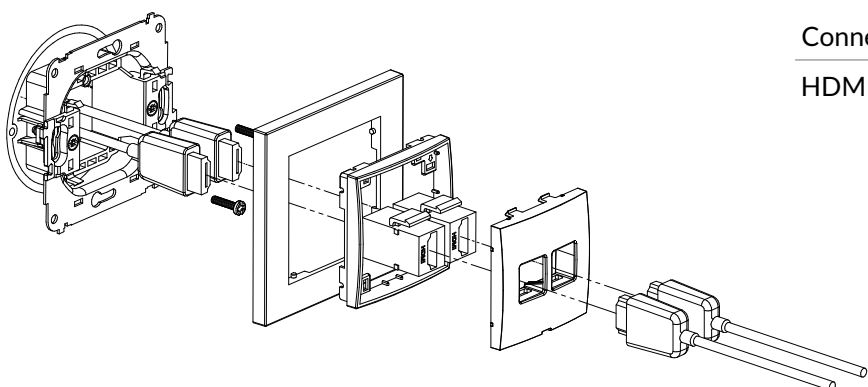
HDMI 2.0 double socket mechanism + universal plastic frame



Connection type	Connection
HDMI	2 x HDMI socket female

MHDMIBO-4 + MR-1

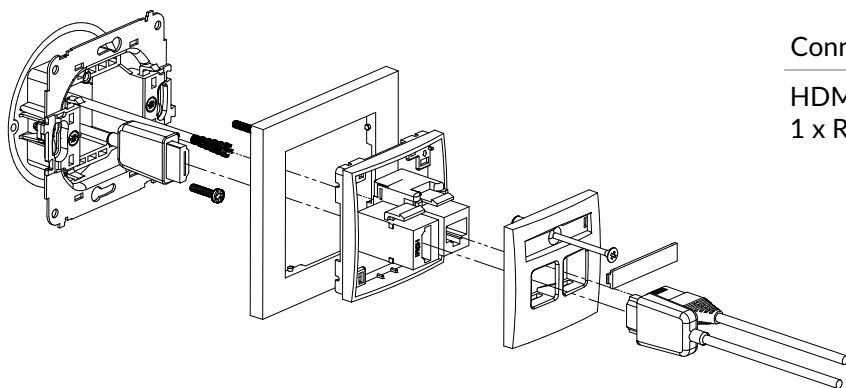
HDMI 2.0 double socket mechanism without destription field + universal plastic frame



Connection type	Connection
HDMI	2 x HDMI socket female

MGHK + MR-1

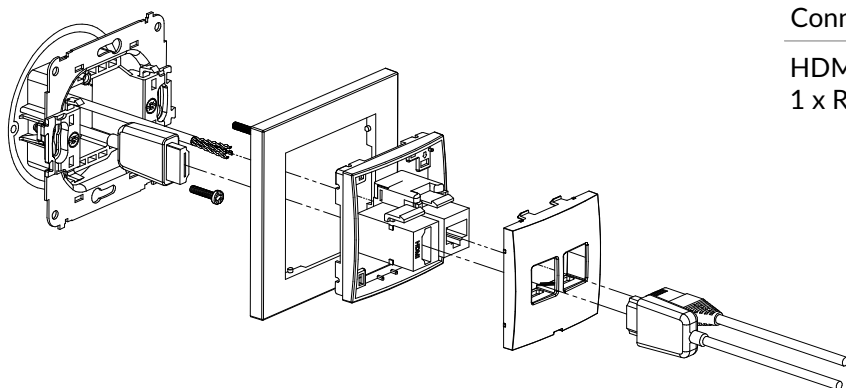
HDMI 2.0 single socket mechanism + single computer socket mechanism 1xRJ45, cat. 5e, 8-contact + universal plastic frame



Connection type	Connection
HDMI, 1 x Rj45 8-kontakt	1 x HDMI socket female / Clamp penetrating insulation

MGHKBO + MR-1

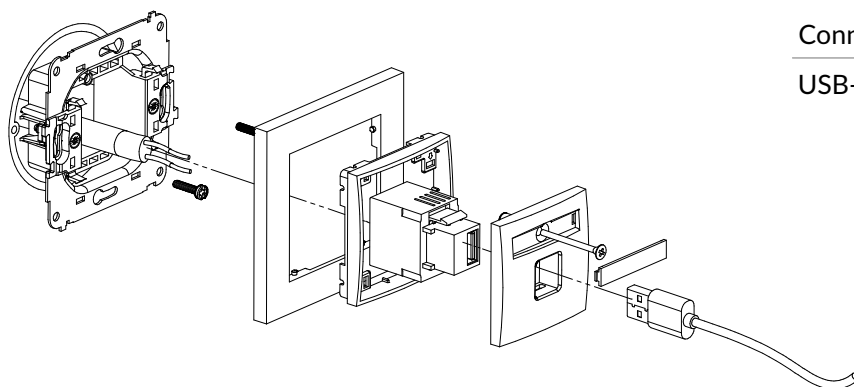
HDMI 2.0 single socket mechanism + single computer socket mechanism 1xRJ45, cat. 5e, 8-contact without destription field + universal plastic frame



Connection type	Connection
HDMI, 1 x Rj45 8-kontakt	1 x HDMI socket female / Clamp penetrating insulation

MCUSB-1 + MR-1

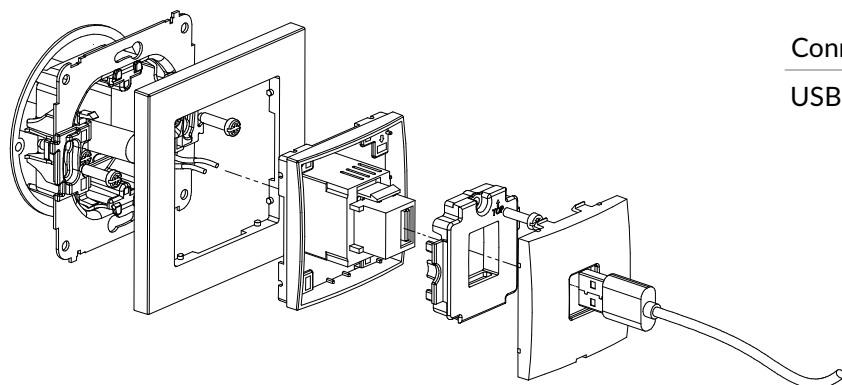
Single USB charger mechanism USB A, 5W max., 5V, 1A + universal plastic frame



Connection type	Connection
USB-A	Screw clamps

MCUSBBO-1 + MR-1

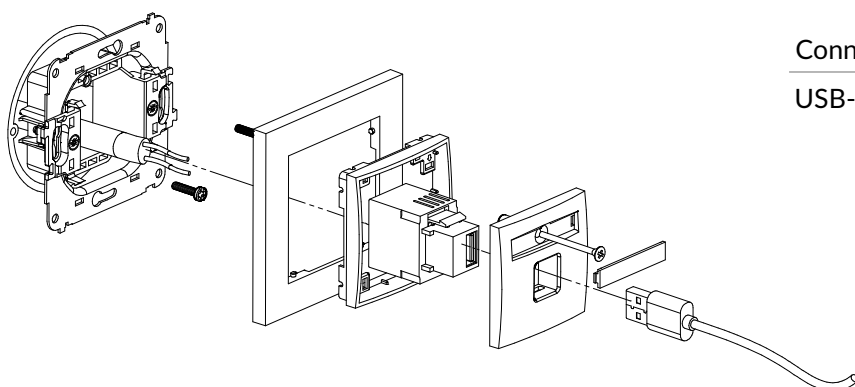
Single USB charger mechanism USB A, 5W max., 5V, 1A, without description field + universal plastic frame



Connection type	Connection
USB-A	Screw clamps

MCUSB-3 + MR-1

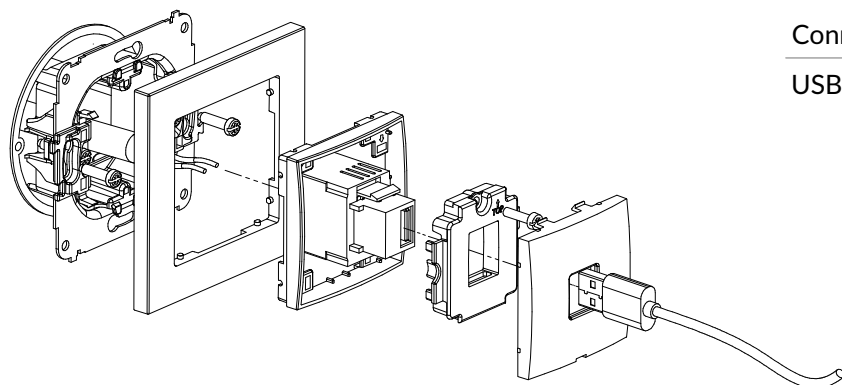
Single USB charger mechanism USB A, 10W max., 5V, 2A + universal plastic frame



Connection type	Connection
USB-A	Screw clamps

MCUSBBO-3 + MR-1

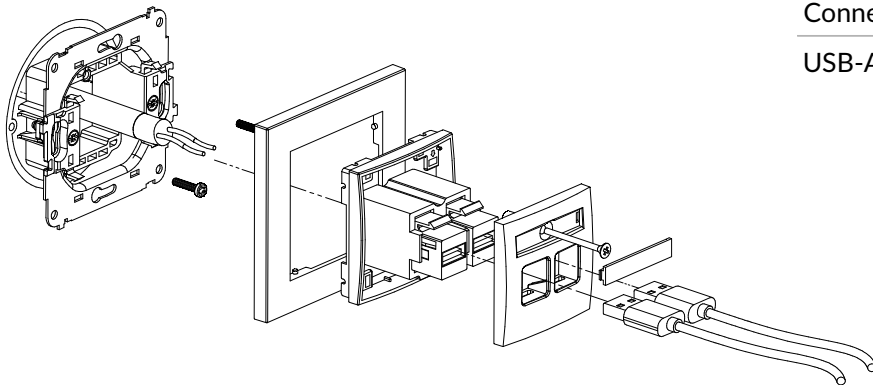
Single USB charger mechanism USB A, 10W max., 5V, 2A, without description field + universal plastic frame



Connection type	Connection
USB-A	Screw clamps

MCUSB-6 + MR-1

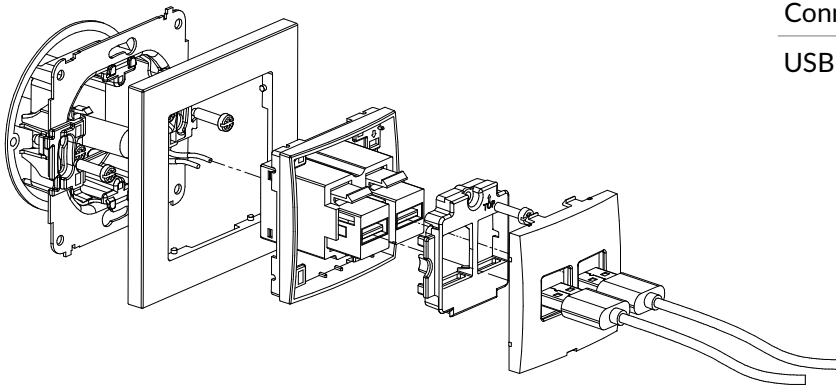
Double USB charger mechanism 2xUSB A, 15,5W max., 5V, 3.1A + universal plastic frame



Connection type	Connection
USB-A	Screw clamps

MCUSBBO-6 + MR-1

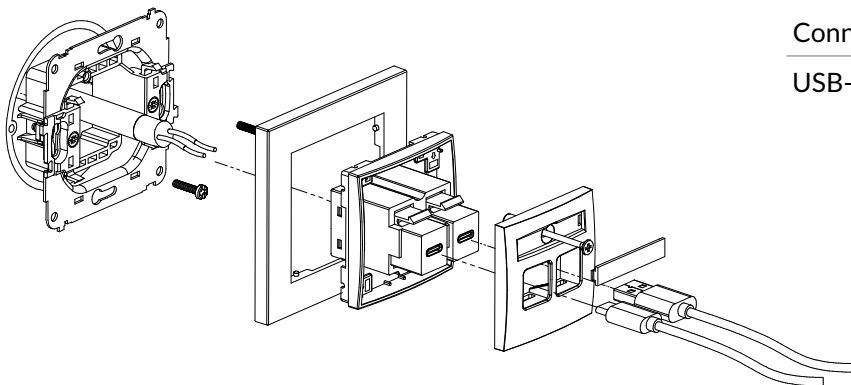
Double USB charger mechanism 2xUSB A, 15,5W max., 5V, 3.1A, without description field + universal plastic frame



Connection type	Connection
USB-A	Screw clamps

MCUSB-7 + MR-1

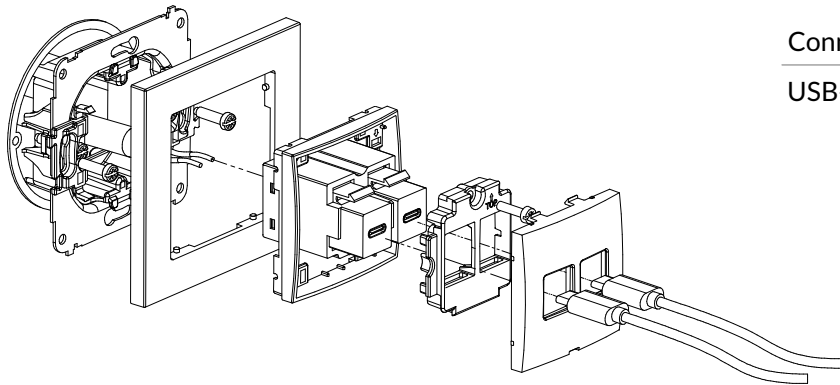
Double USB charger mechanism 2xUSB C, 20W max. + universal plastic frame



Connection type	Connection
USB-C	Screw clamps

MCUSBBO-7 + MR-1

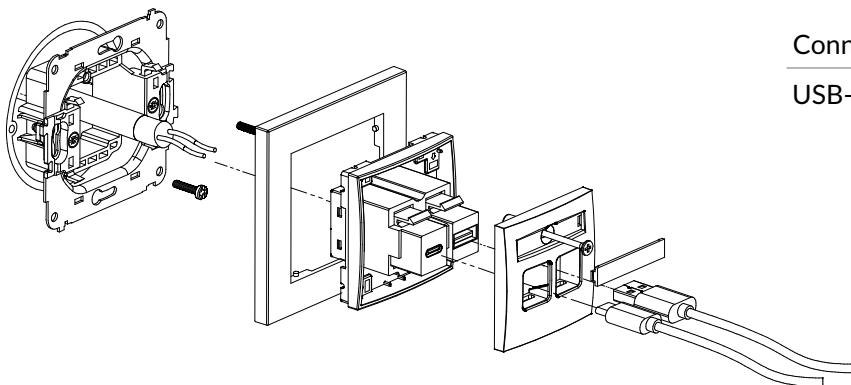
Double USB charger mechanism 2xUSB C, 20W max., without description field + universal palstic frame



Connection type	Connection
USB-C	Screw clamps

MCUSB-8 + MR-1

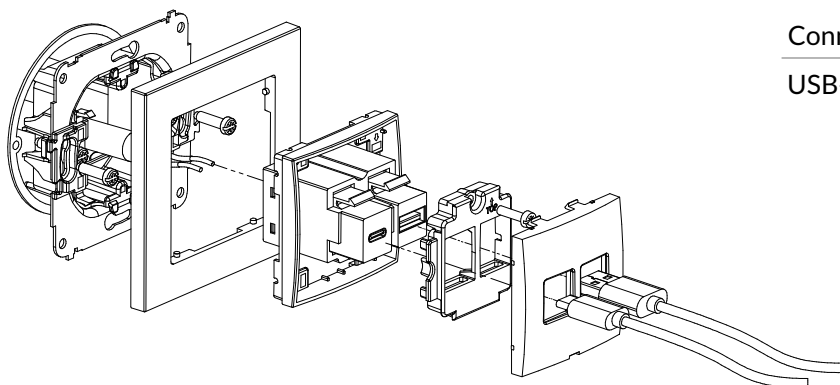
Dual USB charger mechanism USB C + USB A, 20W max. + universal plastic frame



Connection type	Connection
USB-C + USB-A	Screw clamps

MCUSBBO-8 + MR-1

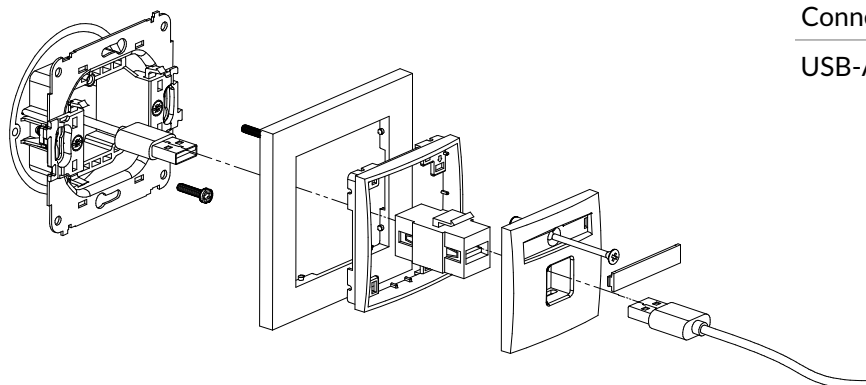
Dual USB charger mechanism USB C + USB A, 20W max., without description field + universal plastic frame



Connection type	Connection
USB-C + USB-A	Screw clamps

MGUSB-1 + MR-1

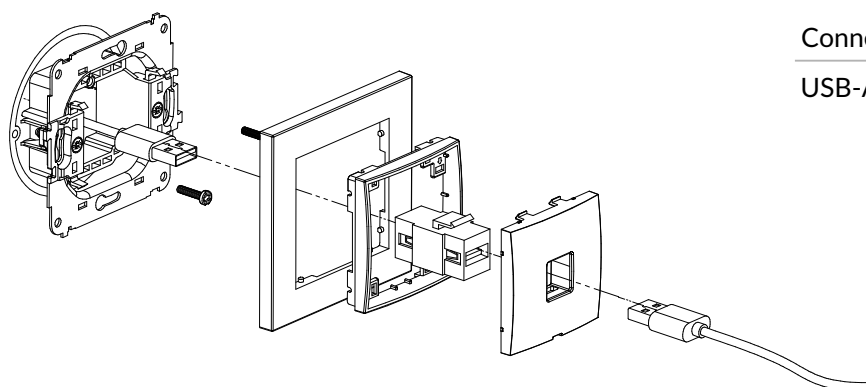
USB A-A 2.0 single socket mechanism + universal plastic frame



Connection type	Connection
USB-A 2.0	1 x USB-A socket female

MGUSBBO-1 + MR-1

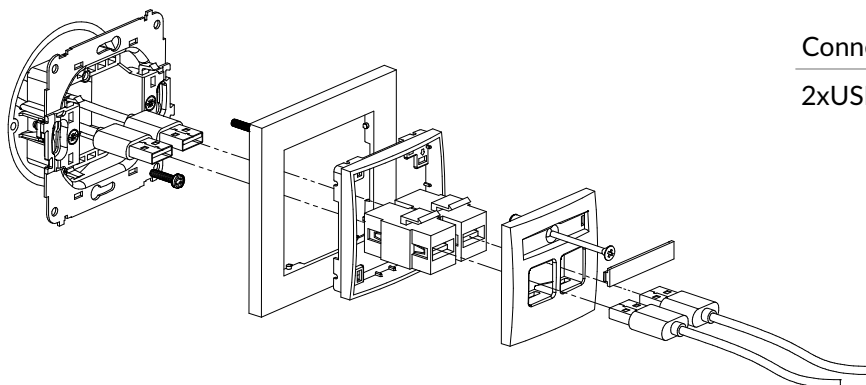
USB A-A 2.0 single socket mechanism without destruction field + universal plastic frame



Connection type	Connection
USB-A 2.0	1 x USB-A socket female

MGUSB-2 + MR-1

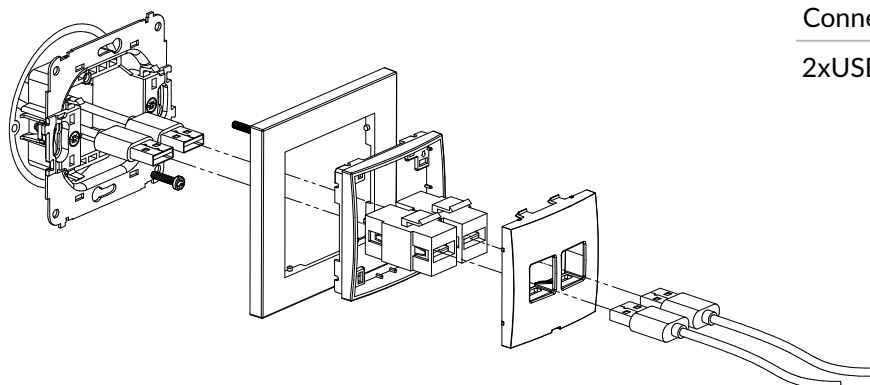
2xUSB A-A 2.0 double socket mechanism + universal plastic frame



Connection type	Connection
2xUSB-A 2.0	2 x USB-A socket female

MGUSBBO-2 + MR-1

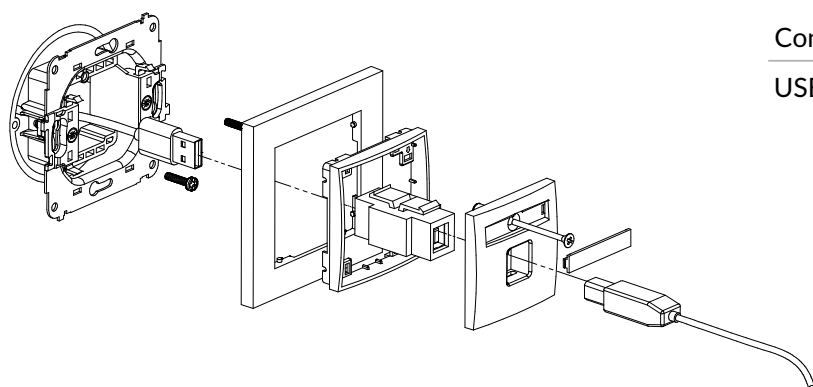
2xUSB A-A 2.0 double socket mechanism without destription field + universal plastic frame



Connection type	Connection
2xUSB-A 2.0	2 x USB-A socket female

MGUSB-3 + MR-1

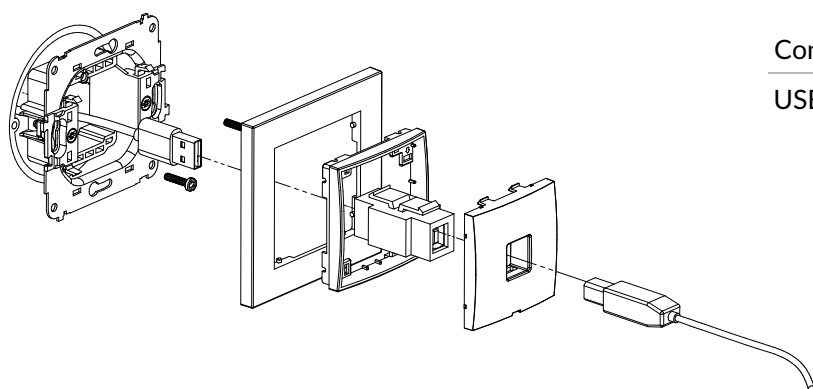
USB A-B 2.0 single socket mechanism + universal plastic frame



Connection type	Connection
USB-B 2.0	1 x USB-A socket female

MGUSBBO-3 + MR-1

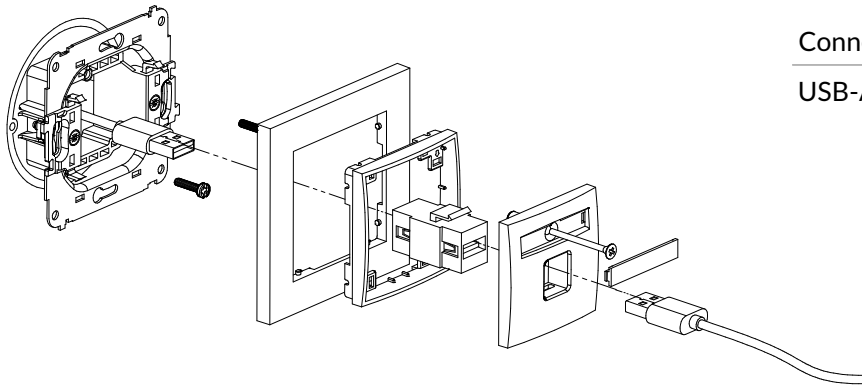
USB A-B 2.0 single socket mechanism without destription field + universal plastic frame



Connection type	Connection
USB-B 2.0	1 x USB-A socket female

MGUSB-5 + MR-1

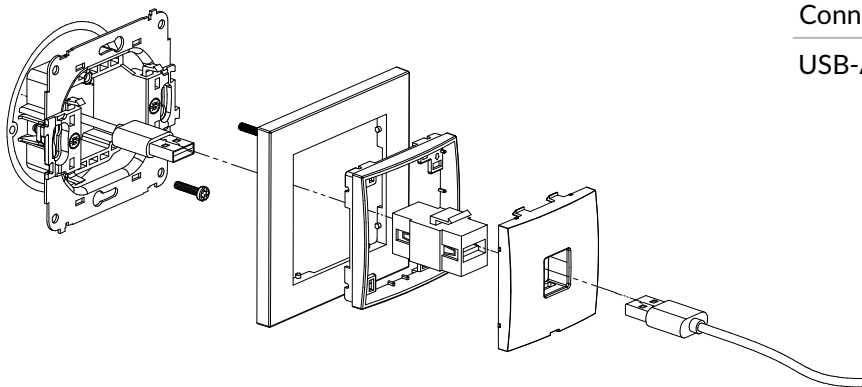
USB A-A 3.0 single socket mechanism + universal plastic frame



Connection type	Connection
USB-A 3.0	1 x USB-A socket female

MGUSBBO-5 + MR-1

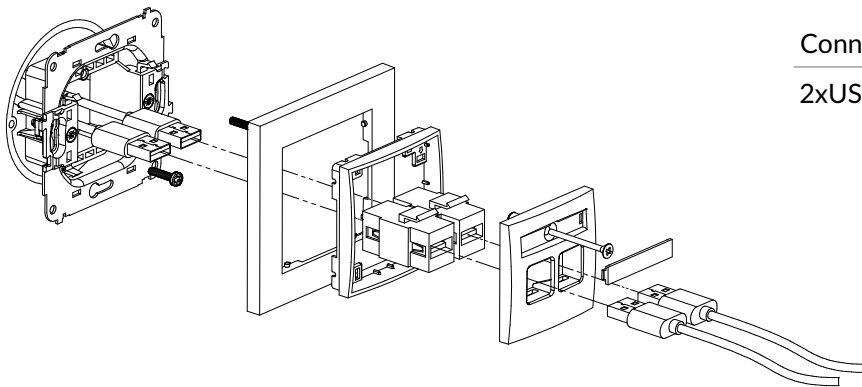
USB A-A 3.0 single socket mechanism without destruction field + universal plastic frame



Connection type	Connection
USB-A 3.0	1 x USB-A socket female

MGUSB-6 + MR-1

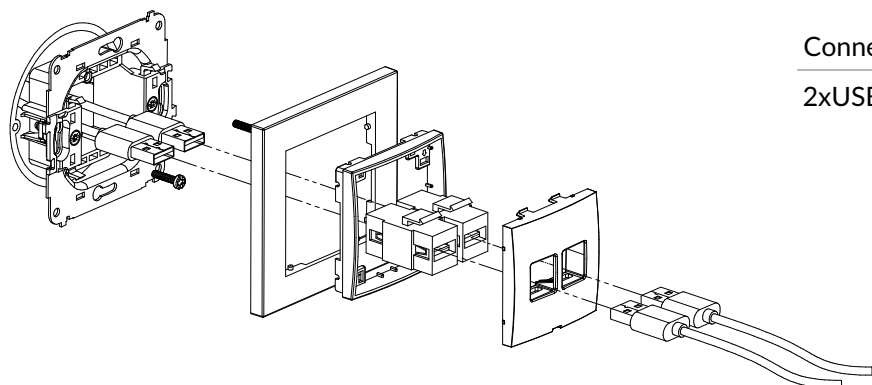
2xUSB A-A 3.0 double socket mechanism + universal plastic frame



Connection type	Connection
2xUSB-A 3.0	1 x USB-A socket female

MGUSBBO-6 + MR-1

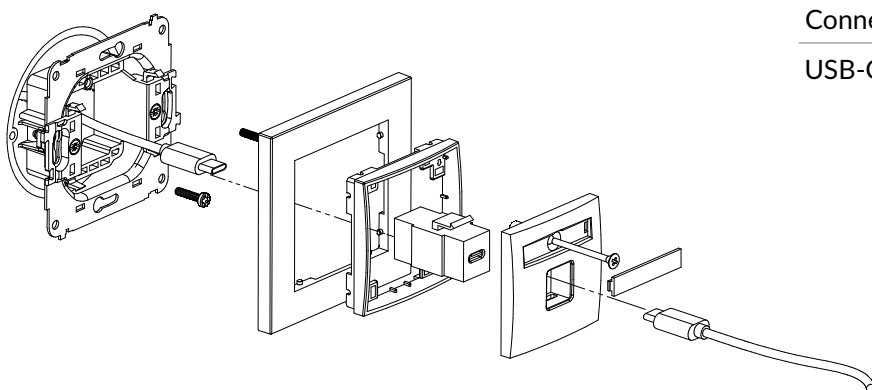
2xUSB A-A 3.0 double socket mechanism without destription field + universal plastic frame



Connection type	Connection
2xUSB-A 3.0	1 x USB-A socket female

MGUSB-7 + MR-1

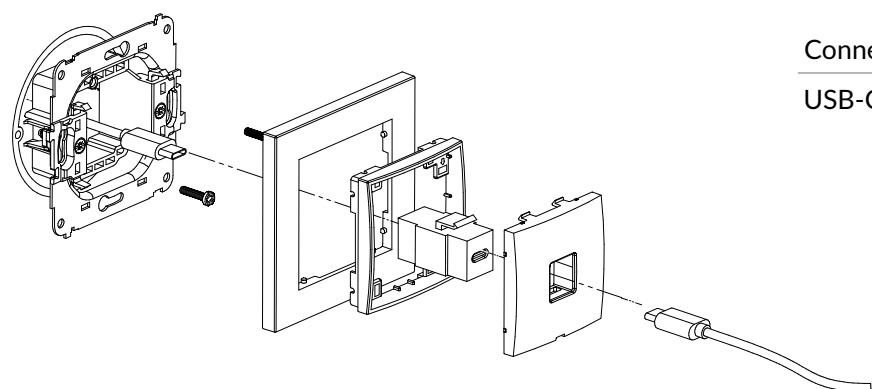
USB C-C single socket mechanism + universal plastic frame



Connection type	Connection
USB-C	1 x USB-C socket female

MGUSBBO-7 + DR-1

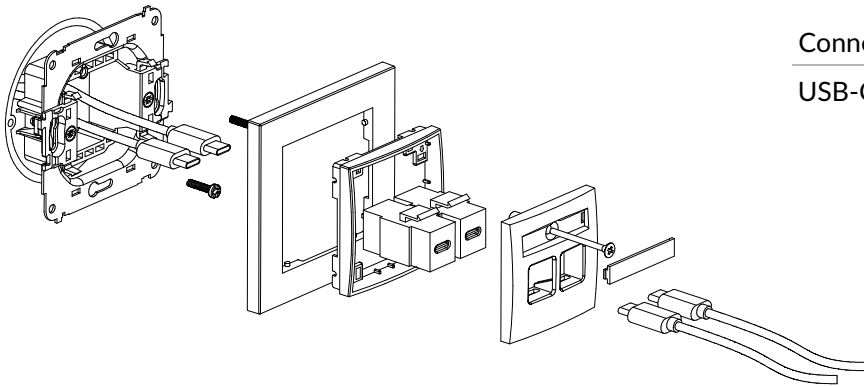
USB C-C single socket mechanism without destription field + universal plastic frame



Connection type	Connection
USB-C	1 x USB-C socket female

MGUSB-8 + MR-1

USB C-C double socket mechanism + universal plastic frame



Connection type

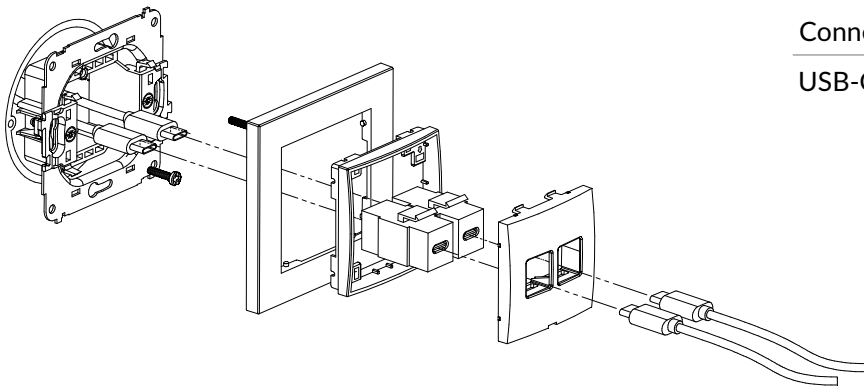
Connection

USB-C

2 x USB-C socket female

MGUSBBO-8 + MR-1

USB C-C single socket mechanism without destruction field + universal plastic frame



Connection type

Connection

USB-C

2 x USB-C socket female