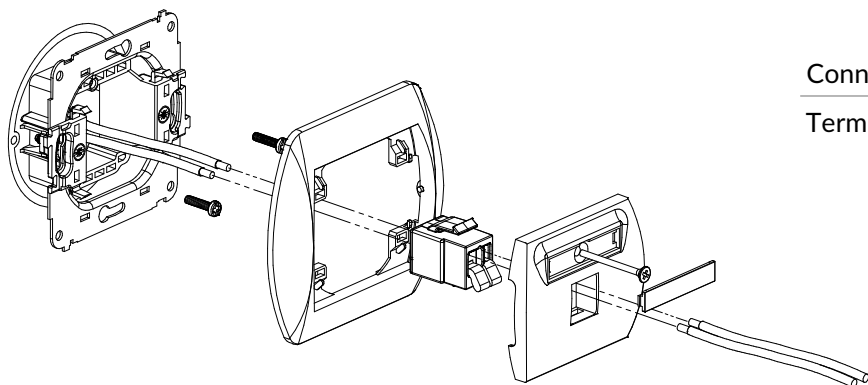


# TREND SERIES MULTIMEDIA SOCKETS CONNECTION METHOD

## GG-1 + RH-1

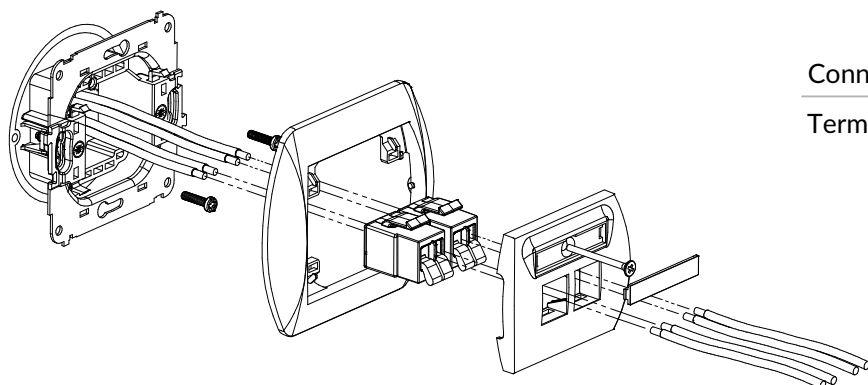
Single loudspeaker socket (2,5mm<sup>2</sup>) mechanism + 1-gang horizontal frame



Connection type	Connection
Terminal	Screw clamps

## GG-2 + RH-1

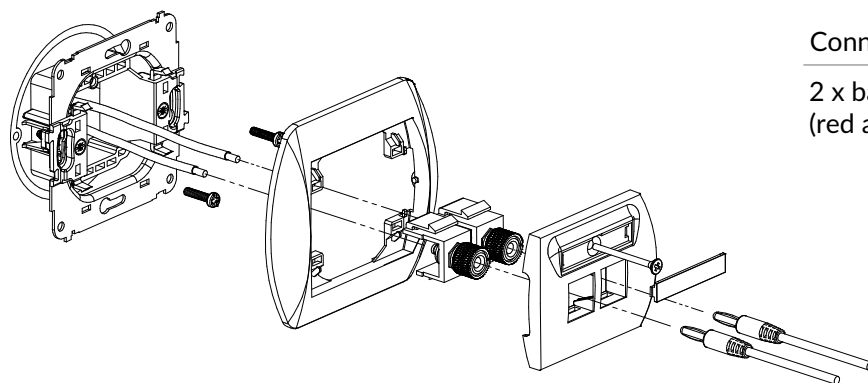
Double loudspeaker socket (2,5mm<sup>2</sup>) mechanism + 1-gang horizontal frame



Connection type	Connection
Terminal	Screw clamps

## GG-3 + RH-1

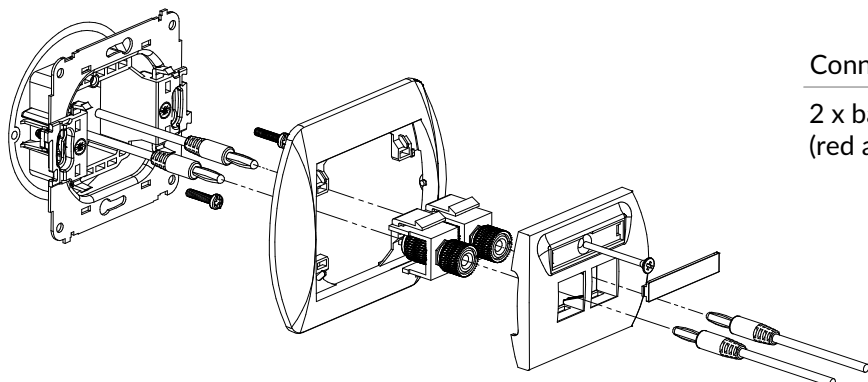
Single loudspeaker socket (banana type - red and black, gold-plated, 4mm<sup>2</sup>, soldering) mechanism + 1-gang horizontal frame



Connection type	Connection
2 x banana gold plated (red and black)	For soldering

### GG-4 + RH-1

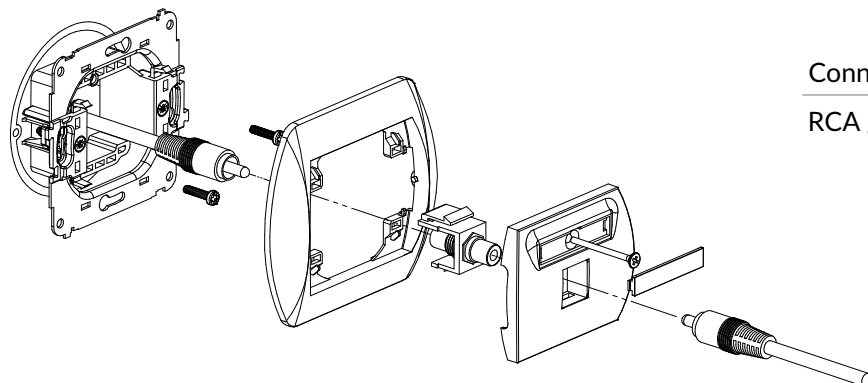
Single loudspeaker socket (banana type - red and black, gold-plated, 4mm<sup>2</sup>, twisted) mechanism + 1-gang horizontal frame



Connection type	Connection
2 x banana gold plated (red and black)	Screwed

### GRCA-1 + RH-1

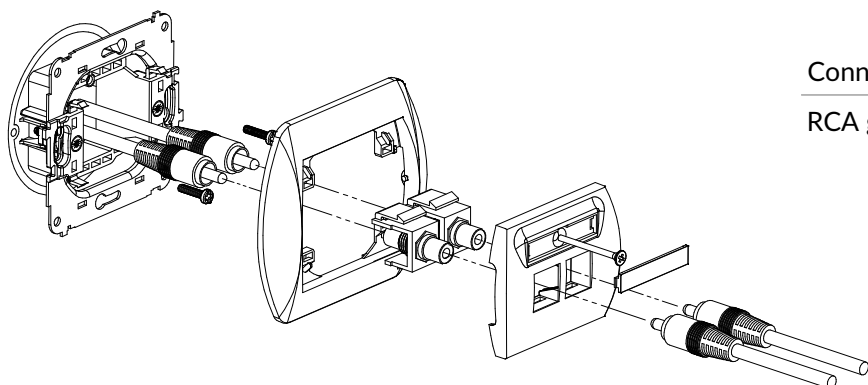
RCA single socket (cinch type - yellow, gold-plated) mechanism + 1-gang horizontal frame



Connection type	Connection
RCA gold-plated	1 x RCA (cinch) female, yellow marker, gold plated

### GRCA-2 + RH-1

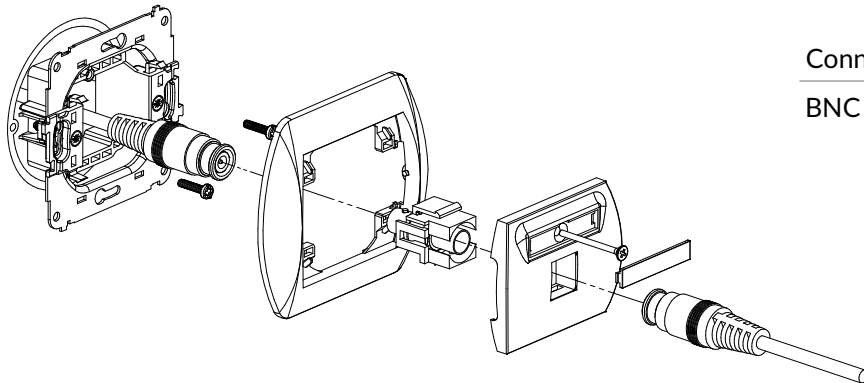
RCA double socket (cinch type - white and red, gold-plated) mechanism + 1-gang horizontal frame



Connection type	Connection
RCA gold-plated	2 x RCA (cinch) female, white and red marker, gold plated

**GBNC-1 + RH-1**

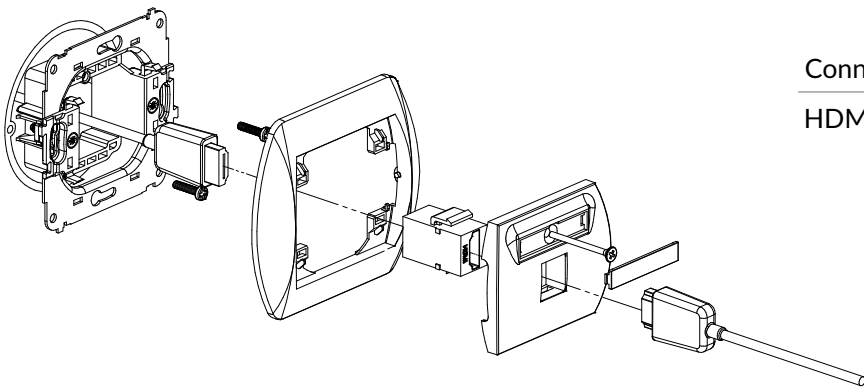
BNC single socket mechanism + 1-gang horizontal frame



Connection type	Connection
BNC	Screwed

**HDMI-1 + RH-1**

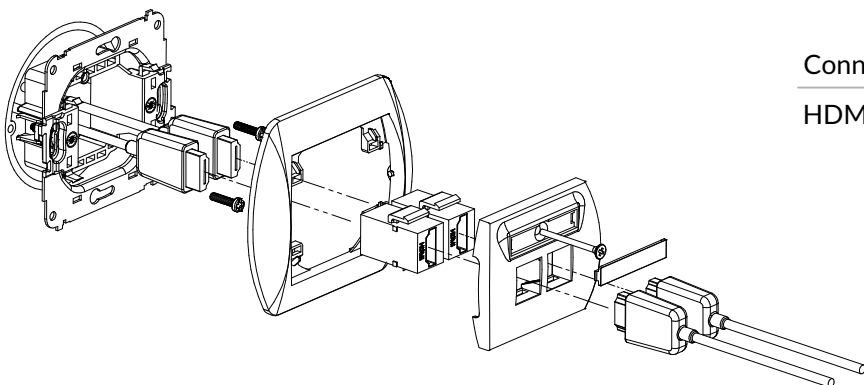
HDMI single socket mechanism + 1-gang horizontal frame



Connection type	Connection
HDMI	1 x HDMI socket female

**HDMI-2 + RH-1**

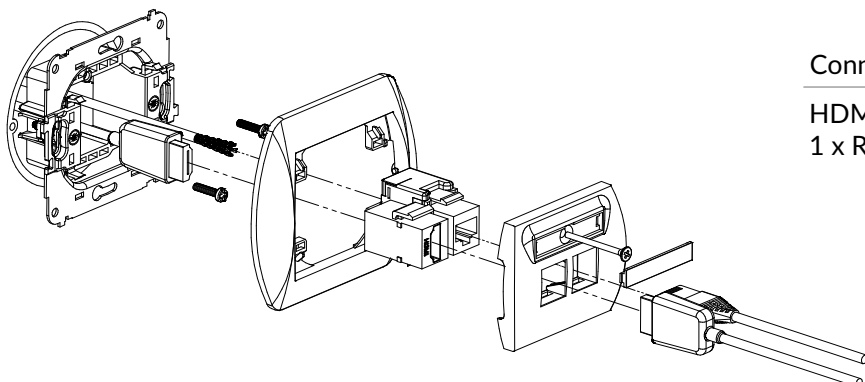
HDMI double socket mechanism + 1-gang horizontal frame



Connection type	Connection
HDMI	2 x HDMI socket female

### **GHK + RH-1**

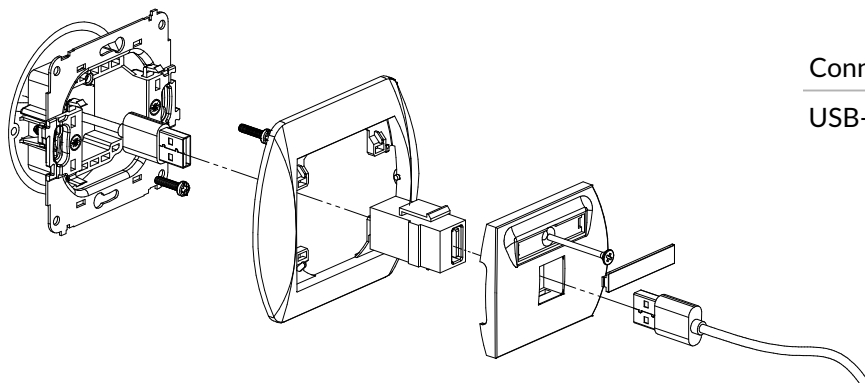
HDMI single socket mechanism + single computer socket mechanism 1xRJ45, cat. 5e, 8-contact  
+ 1-gang horizontal frame



Connection type	Connection
HDMI, 1 x Rj45 8-kontakt	1 x HDMI socket female / Clamp penetrating insulation

### **GUSB-1 + RH-1**

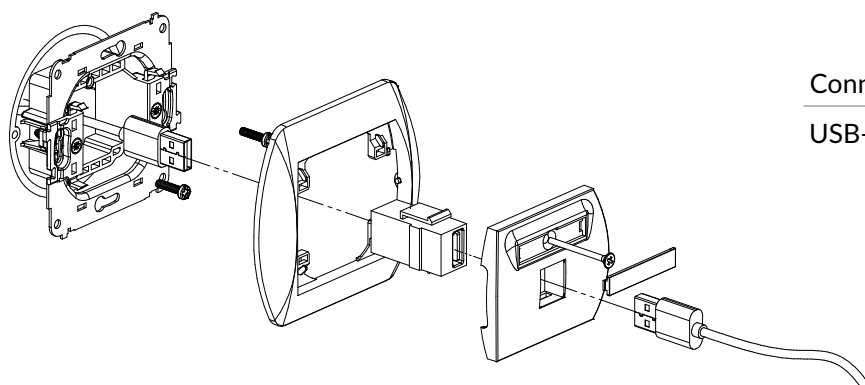
USB-AA 2.0 single socket mechanism + 1-gang horizontal frame



Connection type	Connection
USB-A 2.0	1 x USB-A socket female

### **GUSB-5 + RH-1**

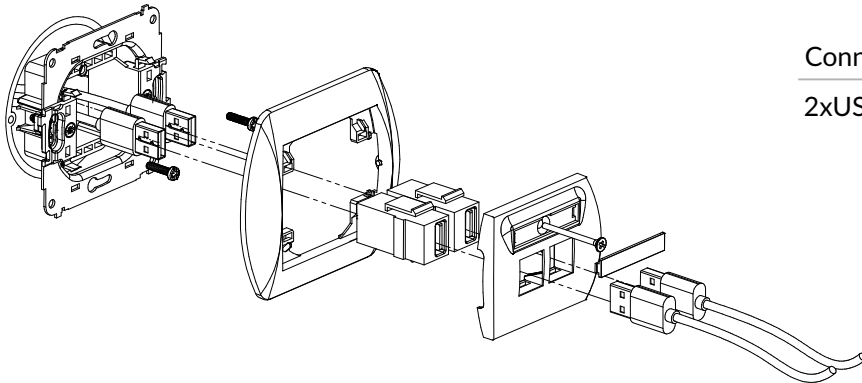
USB-AA 3.0 single socket mechanism + 1-gang horizontal frame



Connection type	Connection
USB-A 3.0	1 x USB-A socket female

**GUSB-2 + RH-1**

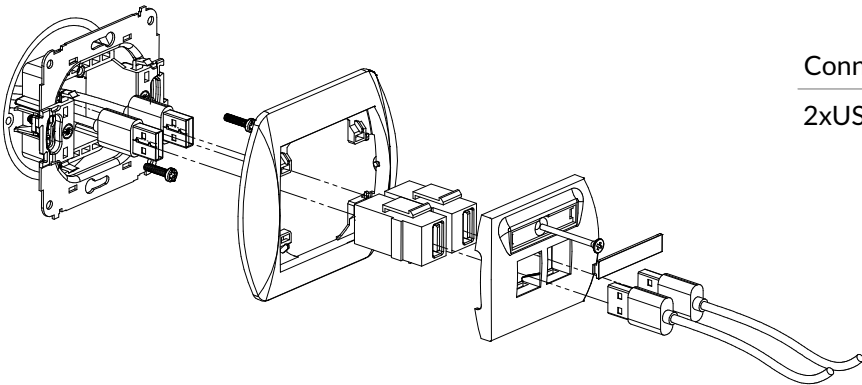
2xUSB-AA 2.0 double socket mechanism + 1-gang horizontal frame



Connection type	Connection
2xUSB-A 2.0	2 x USB-A socket female

**GUSB-6 + DR-1**

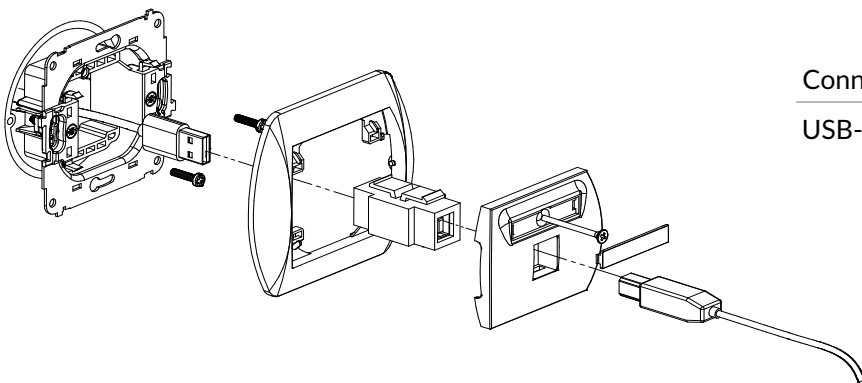
2xUSB-AA 3.0 double socket mechanism+ 1-gang horizontal frame



Connection type	Connection
2xUSB-A 3.0	2 x USB-A socket female

**GUSB-3 + RH-1**

USB-AB 2.0 single socket mechanism +1-gang horizontal frame



Connection type	Connection
USB-B 2.0	1 x USB-A socket female