

ASSEMBLY MANUAL

IP44 SEALANT TO SWITCHES OF DECO, FLEXI AND MINI SERIES

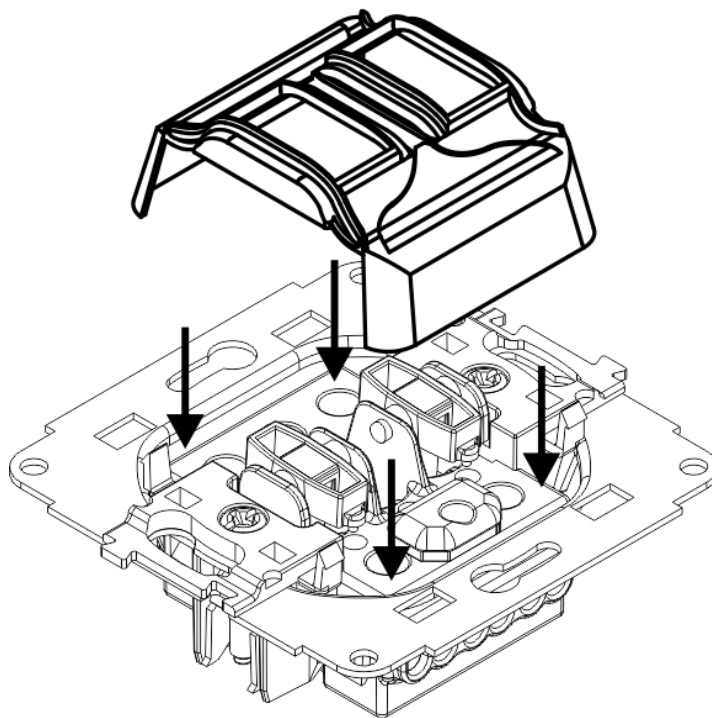
Characteristics of the sealant

The sealant (IP44) is intended for installation by the customer himself in switches of DECO and FLEXI series type: DWP-1, FWP-1, MWP-1, DWP-2, FWP-2, MWP-2, DWP-3, FWP-3, MWP-3, DWP-4, FWP-4, MWP-4, DWP-5, FWP-5, MWP-5, DWP-6, FWP-6, MWP-6, DWP-8, FWP-8, MWP-8, DWP-9, FWP-9, MWP-9, DWP-10.1, FWP-10.1, MWP-10.1, DWP-10.2, FWP-10.2, MWP-10.6, DWP-33, FWP-33, MWP-33 and in their colour variants.

Way of connection

The sealer U-1 shall be set between the switch cube and the central sheet of the mechanism. In the correct position there are two external buttons in the slots of the sealer. Next, prior to installation of button/buttons, the external frame shall be installed.

The way of setting is presented on the schema below



Accessories required for the sealant IP44

Together with the sealer U-1 a DRPH (for DECO series), FRH (for FLEXI series) or MKLH-1 / MKLH-2 (for MINI series) a middle/external frame/press (for DECO/FLEXI/MINI series) shall be purchased for switch IP44 available in different colour variants (to be also used in multiframes).

Note!

Assembly shall be held by a suitably qualified person with deactivated voltage and shall meet the national safety standards.